

**Xterra™ GT™  
Powered Wheelchair**



# Parts Catalog Usage Guide

The information contained in this document is subject to change without notice. This catalog contains service parts for Form No. 01-058. If you have any questions regarding this catalog, please contact one of our Customer Service Representatives.

**For Customer Service Support Call:**

**1-800-333-6900**

**For Faxed In Orders Call:**

**1-800-678-4682 or**

**1-440-366-0709**

**For Technical Service Call:**

**1-800-832-4707**

**Literature Can Be Found at:**

**www.invacare.com or**

**1-800-828-6272**

## SYMBOL DEFINITION

Throughout this catalog you will notice letters to draw your attention to specific footnotes which are located at the bottom of the page or below specified charts.

Examples:

A,B,C etc. = Special Comments

NOTE: = General information pertaining to that specific page

NLA = No Longer Available

## HARDWARE MEASUREMENTS

The measurements for the hardware will be listed as follows:

Screws, Bolts Diameter X Thread Count/Pitch X Length

Washers Inside Diameter X Outside Diameter X Thickness

Spacers Inside Diameter X Outside Diameter X Length

For your convenience, we have supplied an area for you to list your Invacare Representatives.

Name	Phone Numbers

©2008 Invacare Corporation. Elyria, Ohio. Invacare, Yes, you can., and the Blue Medallion Design are registered trademarks and Xterra, GT, MKIV, and RII, are trademarks, and Invacare virtual Service is a service mark name of the Invacare Corporation.

Tash is a registered trademark of Tash International Inc.. Therafin is a registered trademark of W/R/ Medical Electronics Co.. Bussman is a registered trademark of Cooper Industries. MIDI is a registered trademark of Littelfuse Inc.. Dynamic is a registered trademark of Dynamic Controls Limited.

# TABLE of CONTENTS

Description	Page Number
Accessories, Miscellaneous .....	116
Accessories, Power Wheelchair Tool Kit .....	114
Arms, Adjustable Height - 14-15" Deep Seat Frames .....	36
Arms, Adjustable Height - 16-20" Deep Seat Frames .....	42
Arms, Captain Seat and Hardware - 18" Wide Models .....	32
Arms, Captain Seat and Hardware - 20" Wide Models .....	34
Arms, Fixed Height .....	38
Back Canes, Spreader Bars and Attaching Hardware .....	25
Battery Charger and Harness .....	81
Battery Top Cover and Tray Assembly .....	83
Captain Seat and Actuator Hardware .....	23
Captain Seat Assembly .....	21
Caster and Forks, Front 8" and Rear 6" .....	75
Electronics - MKIV Controllers, Programmer and Hardware .....	100
Electronics - MKIV Displays .....	104
Electronics - MKIV Joystick Mounting Hardware and Joystick Accessories .....	89
Electronics - MKIV Joystick Options .....	109
Electronics - MKIV Joysticks - PSF and PSR .....	87
Electronics - MKIV Joysticks - RII, TCHJOY, A, A+ .....	85
Electronics - MKIV Mid-Line Swing Bracket Assembly .....	92
Electronics - MKIV R.I.M. Head Control Assembly .....	107

# TABLE of CONTENTS

<b>Description</b>	<b>Page Number</b>
Electronics - MKIV R.I.M. Head Control Mounting Hardware .....	106
Electronics - MKIV Sip-N-Puff/Digital Interface and COM12 and COM34 .....	102
Electronics - MKIV Swivel Joystick Hardware .....	91
Electronics - Quad Link (QLA - ASBA) and (QL - Captain Seat) (After 4/06/06) .....	97
Electronics - Quad Link Assembly (Before 4/07/06) .....	94
Electronics - Tash and Therafin Accessories .....	112
Fenders and Shrouds .....	79
Flip-Up Seat Plate Assembly .....	15
Flip-Up Seat Plate Mounting Hardware .....	17
Frame Finishes, Touch-Up Paints, and Upholstery Options .....	5
Frame, Base with Suspension Arms and Torsion Bar .....	69
Frame, Mounting Hardware ASBA and Captain Seat .....	13
Frame, Seat ASBA and Hardware - 14-15" Wide .....	9
Frame, Seat ASBA and Hardware - 16-20" Wide .....	11
Front Rigging - Adjustable Angle Footplates - AT5543 .....	62
Front Rigging - Cage Style Footrest .....	52
Front Rigging - Calf Pads and Attaching Hardware .....	56
Front Rigging - Footrest and Legrest Accessories .....	64
Front Rigging - Footrest Support Assemblies .....	50
Front Rigging - Footrest Supports - PW93 .....	57
Front Rigging - Front Rigging Hanger Assembly - Pin, Sector and Cage Style .....	48



# TABLE of CONTENTS

<b>Description</b>	<b>Page Number</b>
Front Rigging - Legerst Supports - AT5544 .....	54
Front Rigging - Pivot/Slide Tube and 1650, 1450, 1350 Aluminum Footplates .....	60
Front Rigging - Pivot/Slide Tube and 1651 Composite Footplates .....	59
Front Rigging - Reference Chart (70ST) .....	47
Front Rigging - Reference Chart (AT5544, 60HD, 70NHD, and PW93) .....	45
Front Suspension Spring Mounting Hardware .....	72
Motor, 4-Pole and Gearbox Assembly .....	73
Packaging, Literature and Decals .....	7
Seat Pan and Mounting Hardware .....	19
Suspension Arm Mounting Hardware .....	71
Upholstery, Back .....	28
Wheel, 16" Drive Wheel and Mounting Hardware .....	77

# Frame Finishes, Touch-Up Paints, and Upholstery Options

## Frame Finishes and Touch-Up Paints

Color Number	Part Number	Bottle Size	Color
08P	1031456	.6 oz.	Deep Purple
17P	1046319	.6 oz.	Cobalt Blue
22P	1033376	.6 oz.	Anthracite
24P	1031450	.6 oz.	Wet Black
29P	1031447	.6 oz.	White
33P	1031455	.6 oz.	Red
34P	1046327	.6 oz.	Flat Black
61P	1046321	.6 oz.	Electric Red
62P	1046320	.6 oz.	Electric Blue
66P	1046322	.6 oz.	Electric Purple
69P	1101320-NLA	.6 oz.	Teflon Black
71P	N/A	N/A	Silver Vein
80P	1073892	.6 oz.	Evergreen with Navy
83P	1073895	.6 oz.	Royal Blue with Grape
84P	1073896	.6 oz.	Lavender
101P	1101325	.6 oz.	Jeweled Green
102P	1101327	.6 oz.	Denim Blue
103P	1101324	.6 oz.	Mocha Frost
104P	1101316	.6 oz.	Electric Teal
105P	1101326	.6 oz.	Midnight Blue

# Frame Finishes, Touch-Up Paints, and Upholstery Options

## Sparkle Frame Finishes

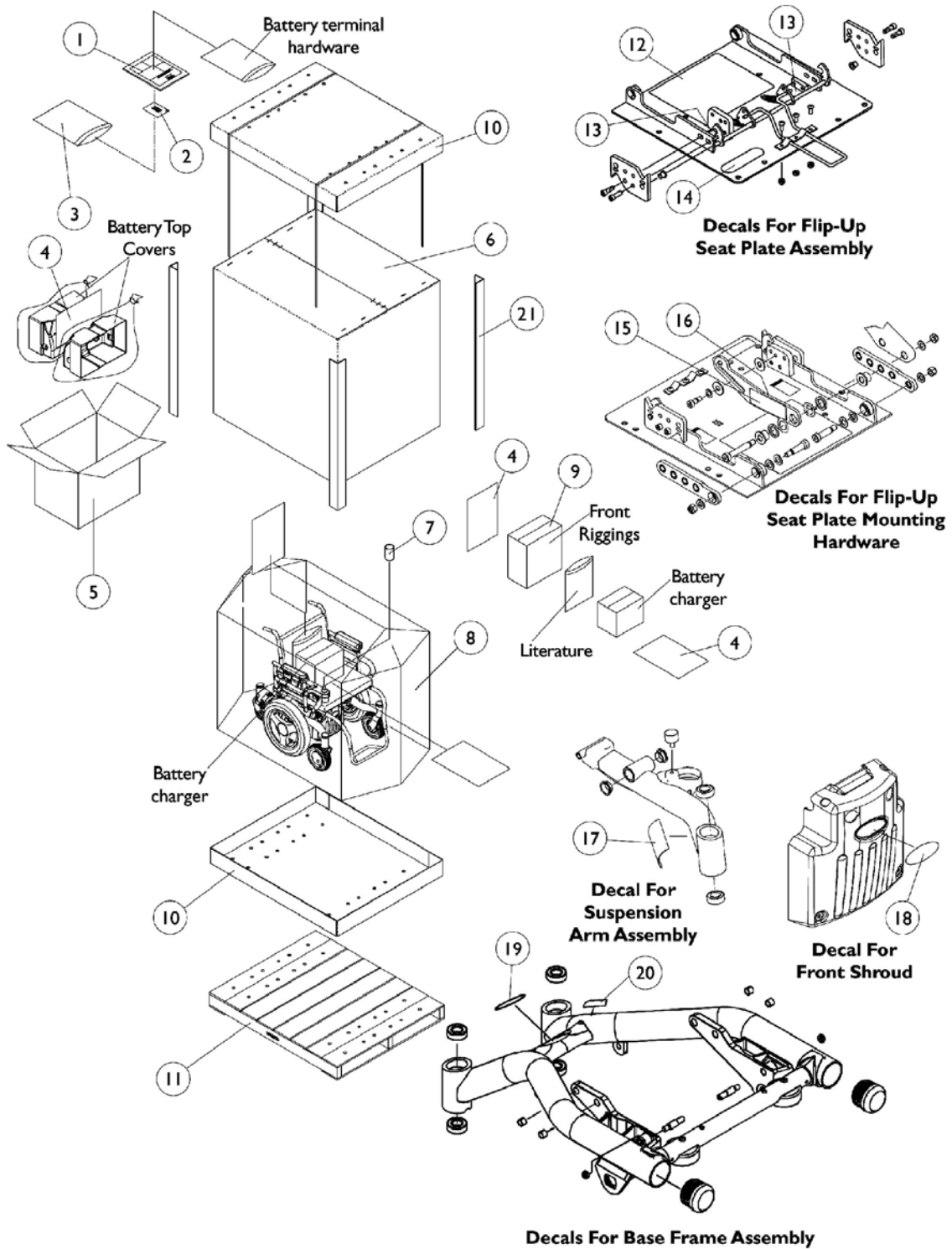
Color Number	Color
88P	Wet Black with Twilight Sparkle

## Upholstery Option

Vinyl Colors	Nylon Colors
U67 Black	U240 Black

# Packaging, Literature and Decals

NOTE: When adjusting or replacing parts, please refer to your Owner's Manual for assistance.



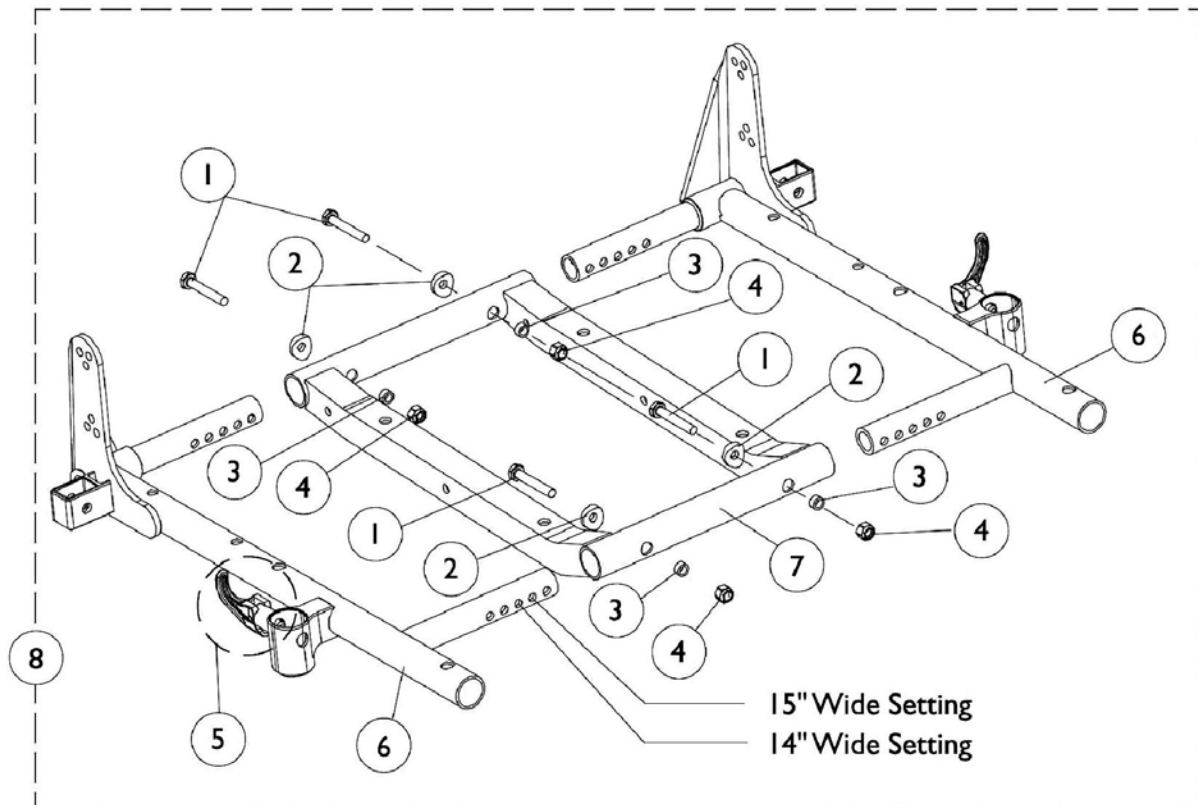
## Packaging, Literature and Decals

**NOTE: When adjusting or replacing parts, please refer to your Owner's Manual for assistance.**

Item Number	Note	Part Number	Description	Quantity Per	
				Package	Assembly
1		1106627	Owner's Manual, Xterra GT	1	1
2		00077X031	Warranty Card	1	1
3		1021149	Bag, Poly Zip-Lip (13" Long x 9" Wide)	1	1
4		40131X161	Insert, Plain Pad	1	3
5		47449X003	Carton	1	1
6		1036028	Carton, Cover	1	1
7		1043198-NLA	Tube, Paper	1	1
8		1015592	Bag, Poly (72" L x 35" W x 19" D)	1	1
9		40131X011	Carton, Front Riggings	1	1
10		1036027	Carton, Tray	1	2
11		1036026-NLA	Wood Skid	1	1
12		1106637	Decal, Battery Removal/Installing	1	1
13		1079203	Decal, Warning Pinch Point	1	2
14		1035900	Decal, Transportation	1	1
15		1106653	Decal, Notice	1	1
16		1079203	Decal, Warning Pinch Point	1	1
17		1108980	Decal, Xterra GT	1	2
18		1090147	Decal, Invacare Medallion - Large	1	1
19		1095489	Decal, Invacare 3-D Logo (2-1/2" L)	1	1
20		1119281	Name Plate, Patent Numbers	1	1
21		1129590	Carton, Corner Reinforcement	1	4

# ASBA Seat Frame and Hardware

## 14-15" Wide



## ASBA Seat Frame and Hardware 14-15" Wide

Item Number	Note	Part Number	Description	Quantity Per	
				Package	Assembly
1		1037610	Screw, Hex Head (1/4-20 x 1-5/8")	1	4
2		1026099	Spacer, Coved (1/4 x 11/16 x 1/2")	1	4
3		1047449	Spacer (1/4 x 3/8 x 3/16")	1	4
4		1025736	Locknut (1/4-20)	1	4
5		47471X074	Spring, Arm Lock	1	1
5		1028594	Pin, Arm Lock	1	1
5		1090768	Kit, Lock Handle w/Rivets (both LT & RT side)	2	1
6-8		See Chart	#s 6-8 ASBA Seat Frame and Hardware	1	1

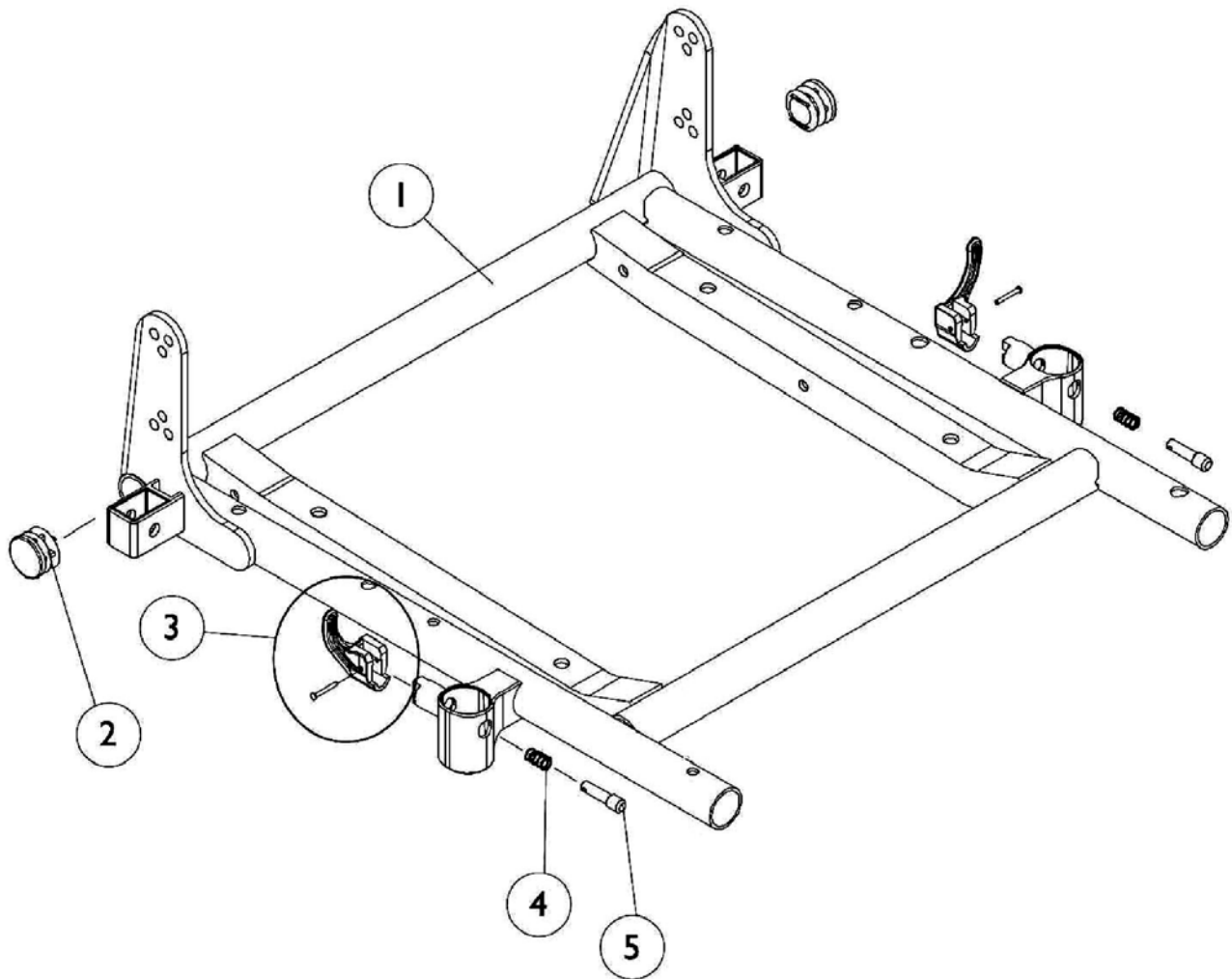
### #s 6-8 Seat Frames

Item Number	Description	14-15" Deep	16-17" Deep	18-19" Deep	20" Deep
6	Seat Frame - Right See Note(s) B	1108940	1108940	1108942	1108944
6	Seat Frame - Left See Note(s) B	1108941	1108941	1108943	1108945
7	Seat Frame - Center	1070476	1070476	1070476	1070533
8	Seat Frame - Assembly See Note(s) A	1108947	1108947 See Note(s) A	1108953	1108959
NOTE: A - Includes items 1-7 B - Seat frame includes item 5 arm lock assembly					

# ASBA Seat Frame and Hardware

## 16-20" Wide

NOTE: 14" and 15" seat depths are achieved by using CJ back mounting hardware.





# ASBA Seat Frame and Hardware

## 16-20" Wide

**NOTE: 14" and 15" seat depths are achieved by using CJ back mounting hardware.**

### # 1 - Seat Frame with Hardware

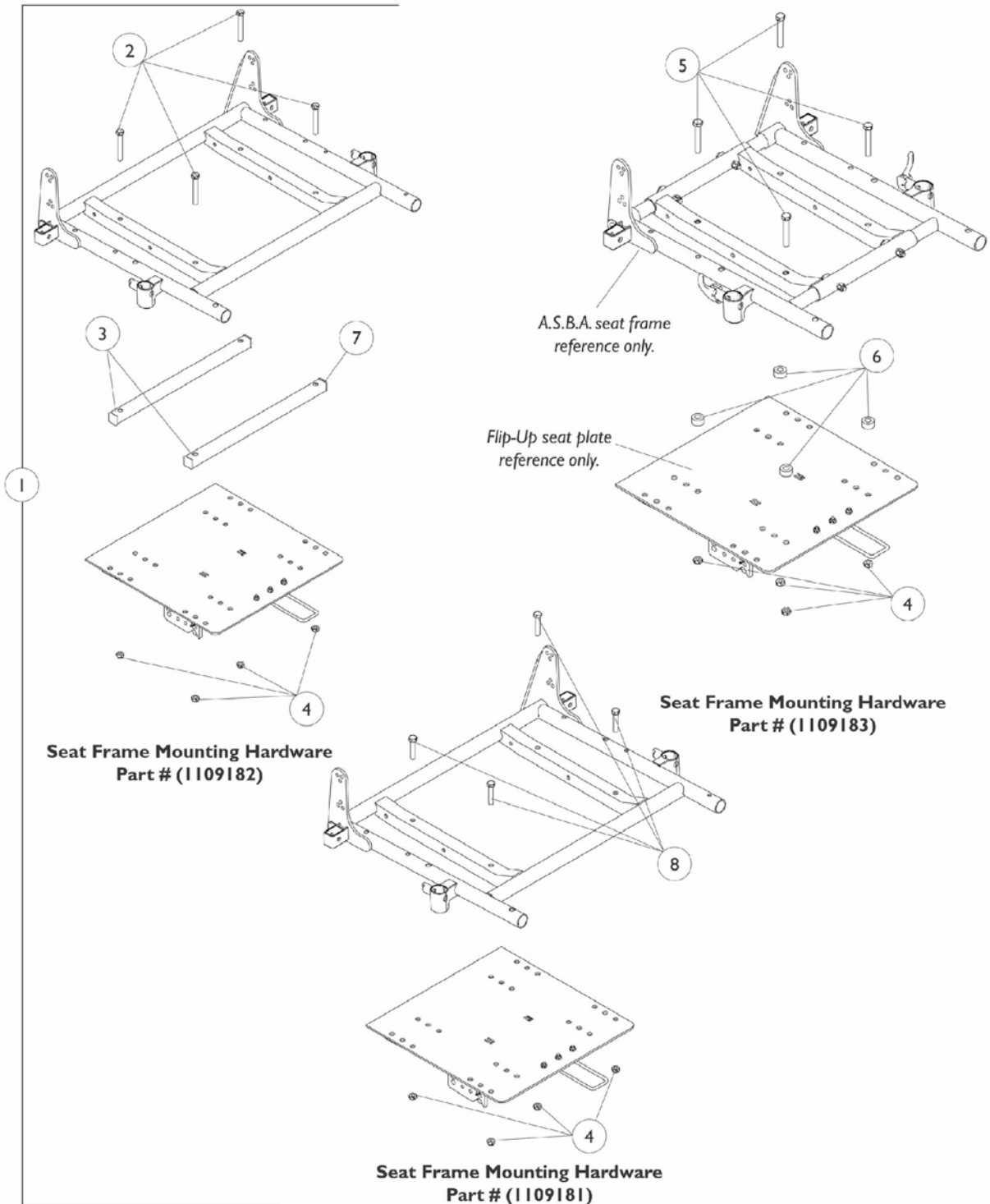
Seat Width	14-17" Deep	18-19" Deep	20" Deep
16" Wide	1108948	1108954	1108960
17" Wide	1108949	1108955	1108961
18" Wide	1108950	1108956	1108962
19" Wide	1108951	1108957	1108963
20" Wide	1108952	1108958	1108964

Item Number	Note	Part Number	Description	Quantity Per	
				Package	Assembly
1	A	See Chart	# 1 ASBA Seat Frame and Hardware	1	1
2		1029501	Plug Button, Black (1")	1	2
3		1090768	Kit, Lock Handle w/Rivets (both LT & RT side)	2	1
4		47471X074	Spring, Arm Lock	1	2
5		1028594	Pin, Arm Lock	1	2

**NOTE:** A - Includes seat frame and items 2-5

# ASBA and Captain Seat Frame Mounting Hardware

NOTE: All captin seats use seat frame mounting hardware part # 1109181.



# ASBA and Captain Seat Frame Mounting Hardware

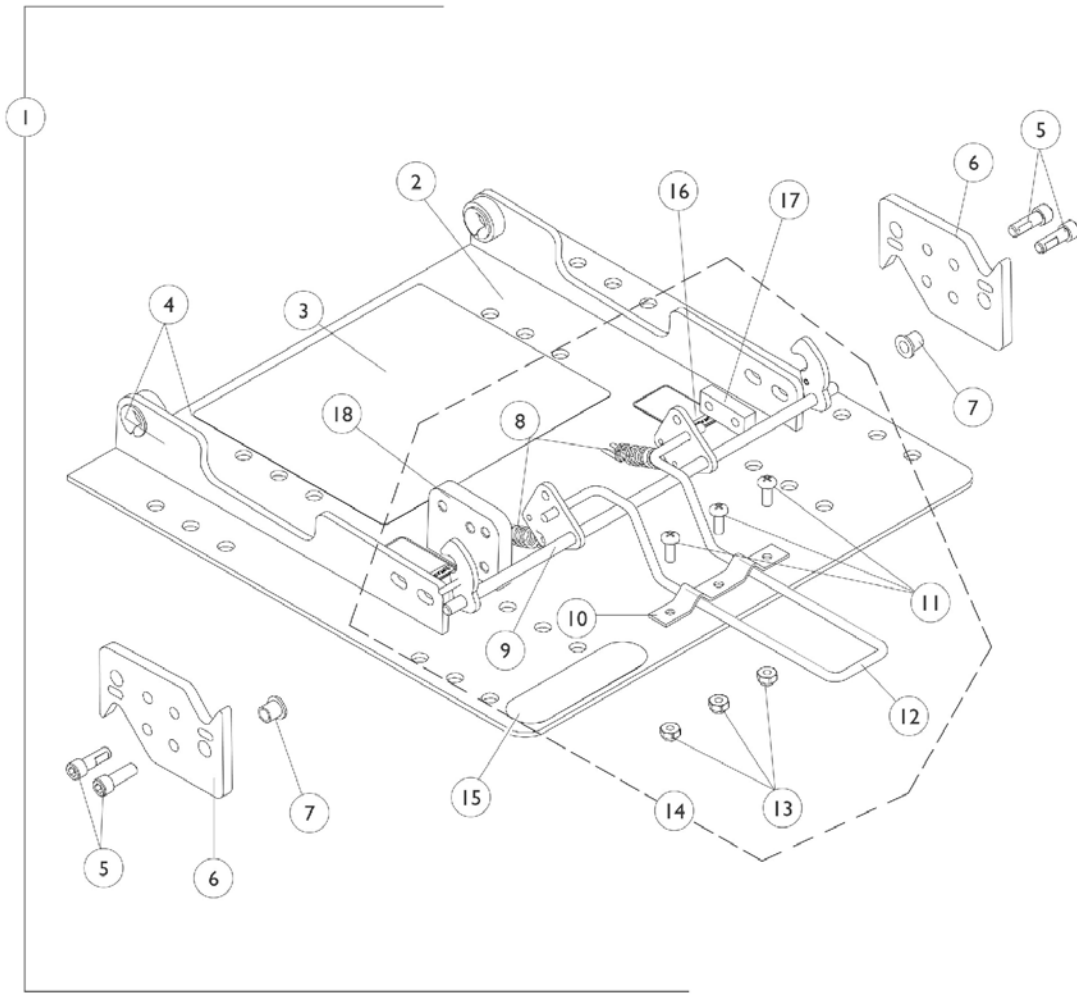
NOTE: All captin seats use seat frame mounting hardware part # 1109181.

## #1 Seat Frame Mounting Hardware

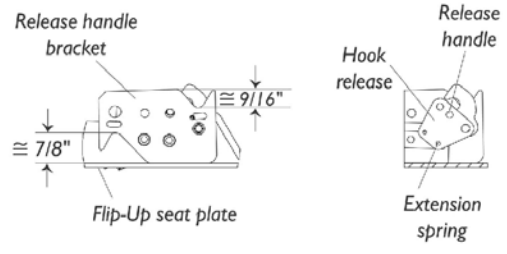
Seat Width	14-17" Deep	18-19" Deep	20" Deep
14-15" Wide	1109183	1109183	1109183
16-18" Wide	1109181	1109181	1109182
19-20" Wide	1109181	1109182	1109182

Item Number	Note	Part Number	Description	Quantity Per	
				Package	Assembly
1		See Chart	#1 ASBA and Captain Seat Frame Mounting Hardware	1	1
2		1070412	Screw, Hex Head (5/16-18 x 2-1/4")	1	4
3		1108426	Tube with End Seat Spacer	1	2
4		1028769	Locknut (5/16-18)	1	4
5		1042484	Screw, Hex Head (5/16-18 x 2")	1	4
6		1082876	Spacer (3/8 x 3/4 x 3/8")	1	4
7		1108498	Plug Button, Square, Black (1-1/4")	1	4
8		1070398	Screw, Hex Head (5/16-18 x 1-1/2")	1	4

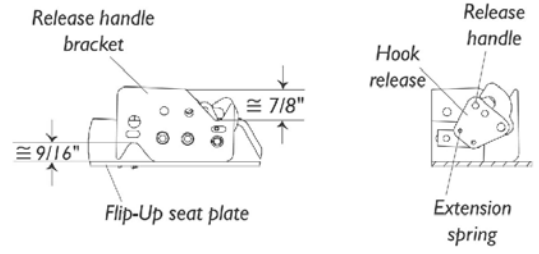
# Flip-Up Seat Plate Assembly



**Component Location  
For  
3° Seat Tilt  
(as shown above)**



**Component Location  
For  
0° Seat Tilt  
(optional)**

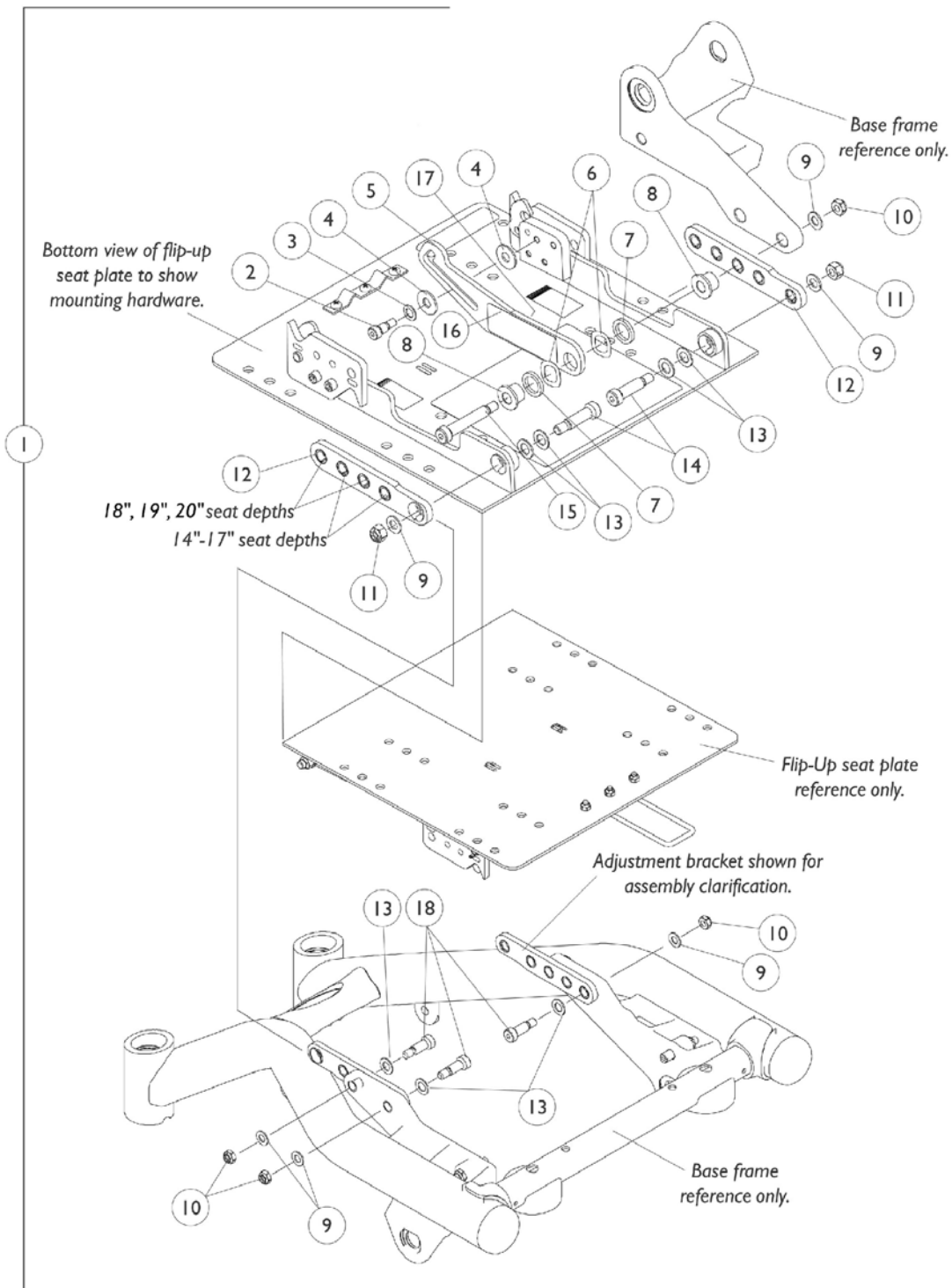


## Flip-Up Seat Plate Assembly

Item Number	Note	Part Number	Description	Quantity Per	
				Package	Assembly
1	A,D	1107705	Seat Plate Assembly, Flip-Up 14"-20" Deep	1	1
2	B,D	1107175	Seat Plate with Decals, Flip-Up 14"-20" Deep	1	1
3		1106637	Decal, Battery Removal/Installing	1	1
4		1106189	Flanged Bearing	1	4
5		1098944	Screw, Socket Head Cap w/ Patch (1/4-20 x 3/4")	1	4
6		1107181	Bracket, Handle Release	1	2
7		1107158	Bushing, Flanged (1/4 x 1/2 x 3/8")	1	2
8		1106621	Spring, Extension	1	2
9		1107702	Hook Release Assembly	1	1
10		1107182	Bracket, Support Release	1	1
11		7930335	Screw, Phillips Pan Head (#10-32 x 1/2")	25	3
12		1107697	Release Handle	1	1
13		1025731	Locknut (#10-32)	1	3
14	C	1108560	Hardware, Hook Release	1	1
15		1035900	Decal, Transportation	1	1
16		1079203	Decal, Warning Pinch Point	1	2
17		1108678	Plate, Threaded	1	1
18		1108677	Plate, Threaded Prop	1	1

NOTE: A - Includes Items 2 and 5-14.  
 B - Includes Items 3, 4, 15, and 16.  
 C - Includes Items 8-13.  
 D - 12/4/02 all seat depths now utilize only one flip-up seat plate assembly with a material depth of 13". For 20" deep models made before 12/4/02 and measure 14", new adjustment brackets must be ordered. See page titled Flip-Up Seat Plate Mounting Hardware.

# Flip-Up Seat Plate Mounting Hardware



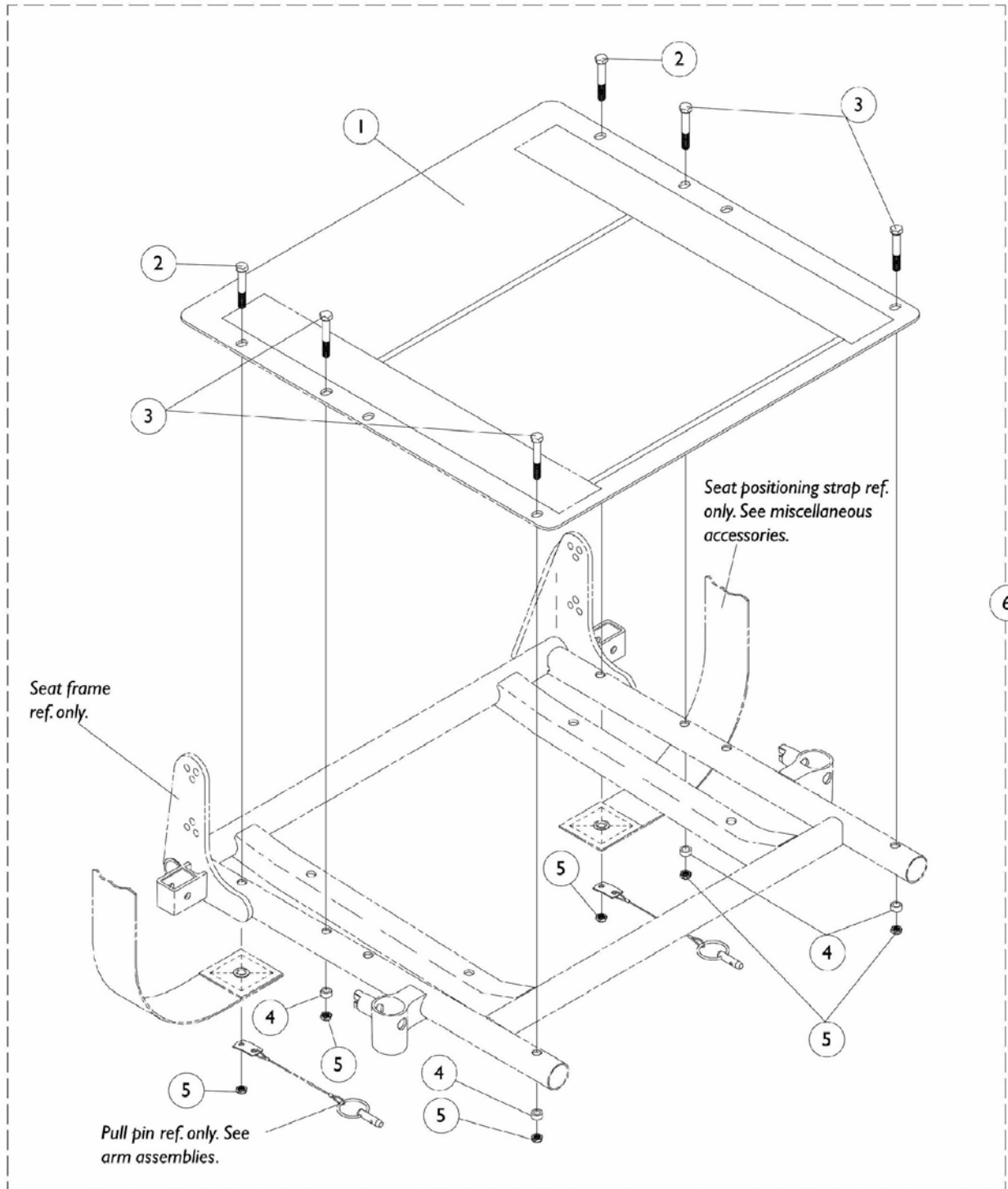
## Flip-Up Seat Plate Mounting Hardware

Item Number	Note	Part Number	Description	Quantity Per	
				Package	Assembly
1	A,B	1108568	Hardware, Seat Plate Mounting, Flip-Up 14-20" Deep	1	1
2		1000208	Screw, Shoulder Hex Socket (5/16" x 3/8")	1	1
3		1016652	Washer (5/16 x 9/16 x 1/32")	1	1
4		1108986	Washer, Flat (7/8 x 11/32 x 1/16")	1	2
5		1108981	Bracket, Prop Seat with Decals	1	1
6		1070379	Washer, Spring (5/8 x 1 x 1/16")	1	2
7		1108676	Washer, Flat (7/8 x 5/8 x 1/8")	1	2
8		1108675	Bushing, Stepped (3/8" I.D.)	1	2
9		1025704	Washer, Flat (5/16 x 5/8 x 1/16")	1	6
10		1028769	Locknut (5/16-18)	1	4
11		1026158	Locknut (5/16-18)	1	2
12	B	1107179	Bracket, Adjustment 14-20" Deep - Right	1	1
12	B	1107180	Bracket, Adjustment 14-20" Deep - Left	1	1
13		1065214	Washer, Flat (3/8 x 11/16 x 1/16")	1	7
14		1069421	Screw, Socket Head Shoulder (3/8 x 1")	1	2
15		1064455	Screw, Socket Head Shoulder (3/8 x 1-3/4")	1	1
16		1106653	Decal, Notice	1	1
17		1079203	Decal, Warning Pinch Point	1	1
18		1107708	Screw, Socket Head Shoulder (3/8 x 3/4")	1	3

NOTE: A - Includes Items 2-18.  
 B - 12/4/02 all seat depths now utilize only one flip-up seat plate assembly with a material depth of 13". For 20" deep models made before 12/4/02 and measure 14", a new flip-up seat plate must be ordered. See page titled Flip-Up Seat Plate Assembly.

# Seat Pan and Mounting Hardware

NOTE: 14-15" Wide seat depths are achieved by using CJ back cane mounting hardware.





# Seat Pan and Mounting Hardware

**NOTE: 14-15" Wide seat depths are achieved by using CJ back cane mounting hardware.**

## #1 - Seat Pan

Seat Width	14-15" Deep	16" Deep	17" Deep	18" Deep	19" Deep	20" Deep
14" Wide	1066022	1066011	1066022	1066033	1066044	1066055
15" Wide	1066023	1066012	1066023	1066034	1066045	1066056
16" Wide	N/A	1066013	1066024	1066035	1066046	1066057
17" Wide	N/A	1066014	1066025	1066036	1066047	1066058
18" Wide	N/A	1066015	1066026	1066037	1066048	1066059
19" Wide	N/A	1066016	1066027	1066038	1066049	1066060
20" Wide	N/A	1066017	1066028	1066039	1066050	1066061

Item Number	Note	Part Number	Description	Quantity Per	
				Package	Assembly
1		See Chart	#1 Seat Pan	1	1
6	A	1070459	Kit, Seat Pan Mounting Hardware	1	1
2			Screw, Hex Head (1/4-20 x 1-5/8")	1	2
3			Screw, Hex Head (1/4-20 x 1-1/2")	1	4
4			Spacer (1/4 x 3/8 x 3/16")	1	4
5			Locknut (1/4-20)	1	6

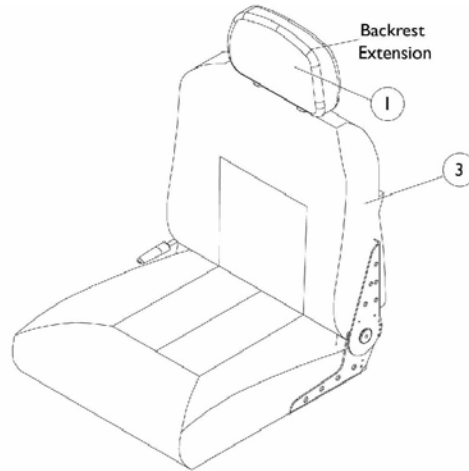
NOTE: A - Includes Items 2-5.

# Captain Seat Assembly

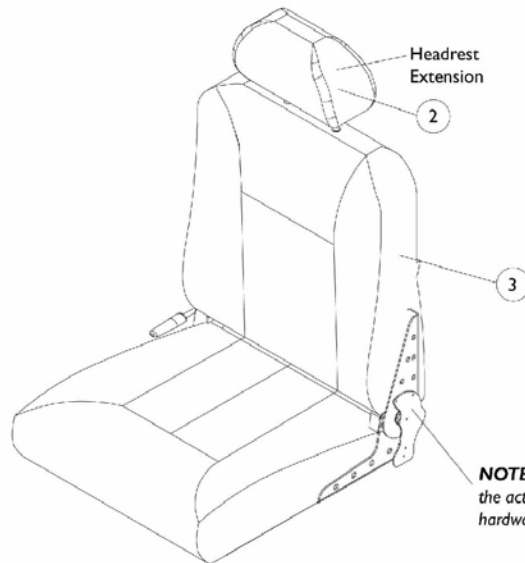
**NOTE:** Captain seats recline approximately 90-144 degrees for semi recline backs and 90-170 degrees for full recline back models.

**NOTE:** Adjustable depths are 16, 17, and 18" deep for 18" wide seats and 18, 19, and 20" deep for 20" wide seats.

**NOTE:** Recline release levers are standard on the right side. Left side release levers can be ordered as a special with a new captain seat.



**Semi Recline Captain Seat**



**Full Recline Captain Seat**

**NOTE:** Full recline captain seats **do not include** the actuator hardware. See seat frame and actuator hardware page.

# Captain Seat Assembly

**NOTE: Captain seats recline approximately 90-144 degrees for semi recline backs and 90-170 degrees for full recline back models.**

**NOTE: Adjustable depths are 16, 17, and 18" deep for 18" wide seats and 18, 19, and 20" deep for 20" wide seats.**

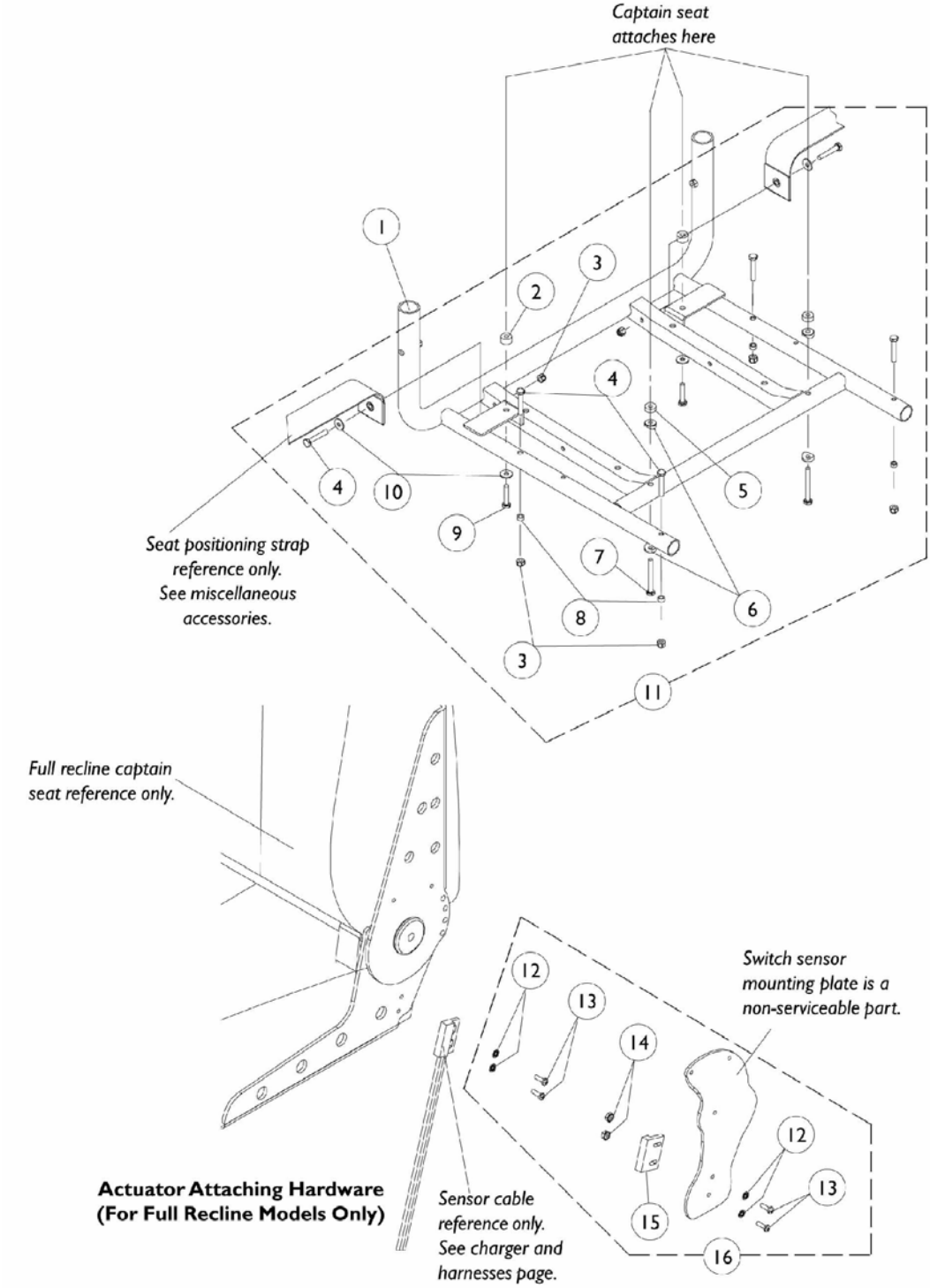
**NOTE: Recline release levers are standard on the right side. Left side release levers can be ordered as a special with a new captain seat.**

Item Number	Description	All Grey Fabric	All Grey Vinyl	All Tan Vinyl
1	Backrest Extension Semi Recline	1106969	1108408	1106968
2	Headrest Extension Full Recline	1106967	1108409	1106966
3	Captain Seat 18" Wide Semi Recline with Backrest Extension	1109254	1109242	1109248
3	Captain Seat 18" Wide Full Recline with Headrest Extension	1109257	1109245	1109251
3	Captain Seat 20" Wide Semi Recline with Backrest Extension	1109255	1109243	1109249
3	Captain Seat 20" Wide Full Recline with Headrest Extension	1109258	1109246	1109252

NOTE: When converting from a semi recline to a full recline captain seat, a sensor cable part # 1092913 must be ordered as well.

Actuator mounting hardware IS NOT included with a full recline captain seat. See actuator mounting hardware.

# Captain Seat and Actuator Hardware



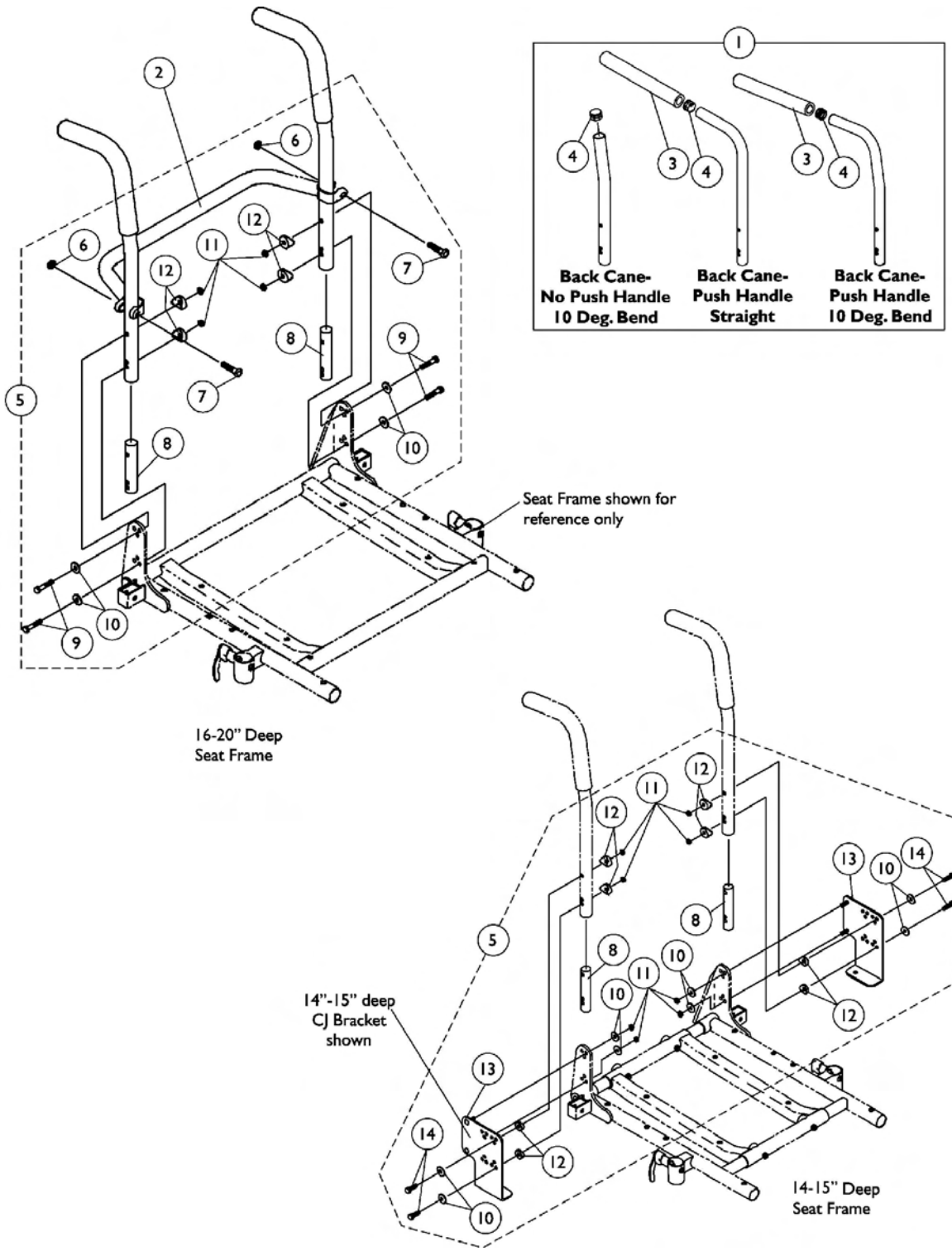
## Captain Seat and Actuator Hardware

Item Number	Note	Part Number	Description	Quantity Per	
				Package	Assembly
1		1070455	Frame, Seat-18" Wide	1	1
1		1108099	Frame, Seat-20" Wide	1	1
2		1108411	Spacer (1/4 x 5/8 x 3/8")	1	2
3		7930333	Locknut (1/4-20)	25	6
4		1030949	Screw, Hex Head (1/4-20 x 1-1/2")	1	6
5		1108410	Spacer (1/4 x 5/8 x 1/4")	1	2
6		1026099	Spacer, Coved (1/4 x 11/16 x 1/2")	1	4
7		1026154	Screw, Hex Head (1/4-20 x 2-1/4")	1	2
8		1047449	Spacer (1/4 x 3/8 x 3/16")	1	4
9		1021406	Screw, Hex Head (1/4-20 x 1-1/4")	1	2
10		1026900	Washer (1/4 x 23/32 x 1/16")	1	4
11	A	1079208	Hardware, Captain Seat Mounting	1	1
12		1008525	Washer, Internal Tooth Lock (#4-40)	1	4
13		7930339	Screw, Phillips Pan Head (#4-40 x 3/8")	25	4
14		P0870X000	Nut, Hex Keps (#4-40)	1	2
15		1024001	Sensor, Actuator Switch	1	1
16	B	1107242	Hardware, Actuator Switch Sensor Mounting	1	1

NOTE: A - Includes Items 2-10.  
B - Includes Items 12-15.

# Back Canes, Spreader Bars and Attaching Hardware

NOTE: Chairs manufactured with a seat width, seat depth or back height of 20" and greater will be equipped with a spreader bar standard.



# Back Canes, Spreader Bars and Attaching Hardware

NOTE: Chairs manufactured with a seat width, seat depth or back height of 20" and greater will be equipped with a spreader bar standard.

Item Number	Note	Part Number	Description	Quantity Per	
				Package	Assembly
1		See Chart	#1 Back Cane Assemblies	1	2
2		See Chart	#2 Spreader Bar	1	1
3		1135506	Package, Foam Hand Grips (9" Long)	10	1
4		1130582	Package, Plug Buttons, Black (7/8")	10	1
5	A,E	1070500	Kit, Back Cane Attaching Hardware, For CJ Bracket 14-15" Deep Seat	2	1
8			Insert, Non-Threaded Back Cane (For Back Heights 20" and Lower)	1	2
10			Washer (1/4 x 23/32 x 1/16")	1	8
11			Locknut (1/4-20)	1	8
12			Spacer, Coved (1/4 x 11/16 x 1/2")	1	8
13			Bracket, CJ Back Mounting - Right	1	1
13			Bracket, CJ Back Mounting - Left	1	1
14			Screw, Hex Head (1/4-20 x 1-5/8")	1	4
5	B,C	1070457	Kit, Back Cane Attaching Hardware	2	1
6			Locknut (5/16-24)	1	2
7			Screw w/ Lug (5/16-24 x 1-3/8")	1	2
8			Insert, Non-Threaded Back Cane (For Back Heights 20" and Lower)	1	2
9			Screw, Hex Head (1/4-20 x 1-5/8")	1	4
10			Washer (1/4 x 23/32 x 1/16")	1	4
11			Locknut (1/4-20)	1	4
12			Spacer, Coved (1/4 x 11/16 x 1/2")	1	4
5	B,D	1070458	Kit, Back Cane Attaching Hardware	2	1
6			Locknut (5/16-24)	1	2
7			Screw w/ Lug (5/16-24 x 1-3/8")	1	2
8			Insert, Non-Threaded Back Cane (For Back Heights 21" and Higher)	1	2
9			Screw, Hex Head (1/4-20 x 1-5/8")	1	4
10			Washer (1/4 x 23/32 x 1/16")	1	4
11			Locknut (1/4-20)	1	4
12			Spacer, Coved (1/4 x 11/16 x 1/2")	1	4

NOTE: A - Includes items 8 and 10-14  
 B - Includes items 6-12  
 C - Used for 14"-20" high back canes  
 D - Used for 21"-22" high back canes  
 E - Prior to 7/9/04 new back cane attaching hardware must be ordered for 14"-15" deep seats that use CJ brackets. The threaded insert was replaced with a non-threaded insert for 14"-20" high back canes.

# Back Canes, Spreader Bars and Attaching Hardware

NOTE: Chairs manufactured with a seat width, seat depth or back height of 20" and greater will be equipped with a spreader bar standard.

## #1 Back Cane Assemblies

Back Height	Back Cane- No Push Handle 10 Deg. Bend	Back Cane- Push Handle Straight	Back Cane- Push Handle 10 Deg. Bend
14"	1045243	1045255	1049957
15"	1045244	1045256	1049958
16"	1048992	1048558	1045575
17"	1048993	1048559	1045576
18"	1048994	1048560	1045577
19"	1048995	1048561	1045578
20"	1048996	1048562	1045579
21"	N/A	N/A	1052227
22"	N/A	N/A	1052230

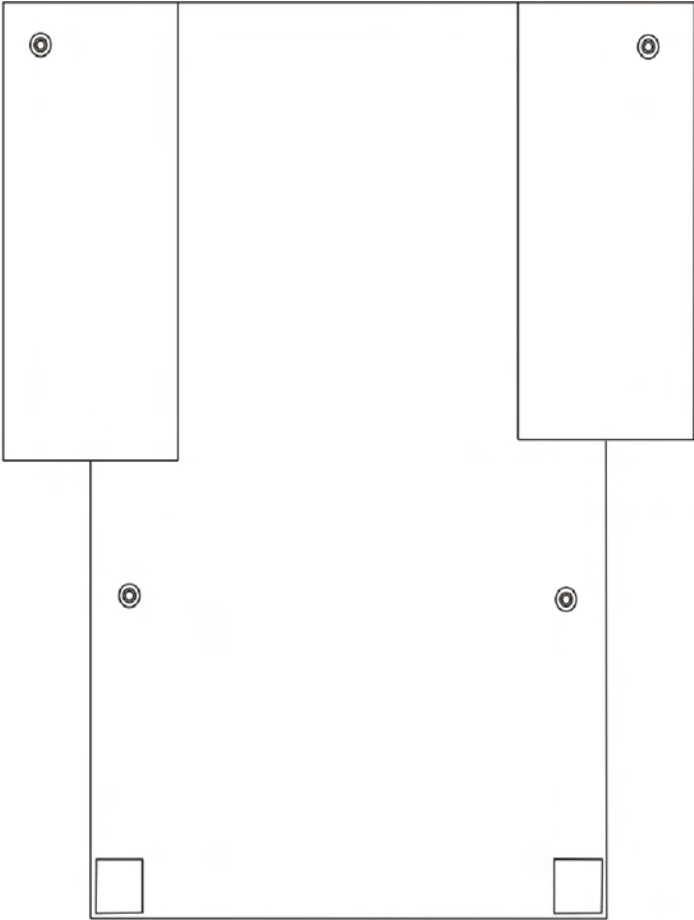
NOTE: Back Cane Assemblies include Foam Grips and Plug Buttons where shown

## #2 Spreader Bar

Chair Width	Part Number
14"	1043871
15"	1043872
16"	1043873
17"	1043874
18"	1043875
19"	1043876
20"	1043877



# Back Upholstery



Single/Dual Liner  
Nylon/Vinyl

# Back Upholstery

## Nylon Single Liners

Back Width	12-13" H	14-15" H	16-17" H	18-19" H	20" H	21-22" H	23-24" H
14" Wide	1049939	1049942	1045173	1045205	1068945	1045157	1054527
15" Wide	1049940	1049943	1045174	1045206	1068946	1045158	1054528
16" Wide	1049941	1045175	1045175	1045207	1068947	1045159	1054529
17" Wide	--	1049945	1045176	1045208	1068948	1045160	1054530
18" Wide	--	1049946	1045177	1045209	1068949	1045161	1054531

## Nylon Dual Liners

Back Width	16-17" H	18-19" H	20" H	21-22" H	23-24" H
14" Wide	1045178	1045210	1068950	1045162	1054532
15" Wide	1045179	1045211	1068951	1045163	1054533
16" Wide	1045180	1045212	1068952	1045164	1054534
17" Wide	1045181	1045213	1068953	1045165	1054535
18" Wide	1045182	1045214	1068954	1045166	1054536
19" Wide	1045183	1045215	1068955	1045167	1054537
20" Wide	1045184	1045216	1068956	1045168	1054538

NOTE: Dual liner back upholstery is used with chairs that have a seat deeper than 17" or back wider than 18".

NOTE: Specify upholstery colors, see page titled "Frame Finishes and Upholstery Colors"

# Back Upholstery

## Nylon Back Upholstery Hardware

Part Number	Description
1026298	2 each - Screw with Washer (10 7/8") 2 each - Cable Ties

### Vinyl Single Liners

Back Width	12-13" H	14-15" H	16-17" H	18-19" H	20" H	21-22" H	23-24" H
14" Wide	8881049947	8881049950	8881045076	8881045060	8881068961	8881045125	8881054543
15" Wide	8881049948	8881049951	8881045077	8881045061	8881068962	8881045126	8881054544
16" Wide	8881049949	8881049952	8881045078	8881045062	8881068963	8881045127	8881054545
17" Wide	--	8881049953	8881045079	8881045063	8881068964	8881045128	8881054546
18" Wide	--	8881049954	8881045080	8881045064	8881068965	8881045129	8881054547

NOTE: Specify upholstery colors, see page titled "Frame Finishes and Upholstery Colors".

# Back Upholstery

## Vinyl Dual Liners

Back Width	16-17" H	18-19" H	20" H	21-22" H	23-24" H
14" Wide	8881045081	8881045065	8881068966	8881045130	8881054548
15" Wide	8881045082	8881045066	8881068967	8881045131	8881054549
16" Wide	8881045083	8881045067	8881068968	8881045132	8881054550
17" Wide	8881045084	8881045068	8881068969	8881045133	8881054551
18" Wide	8881045085	8881045069	8881068970	8881045134	8881054552
19" Wide	8881045086	8881045070	8881068971	8881045135	8881054553
20" Wide	8881045087	8881045071	8881068972	8881045136	8881054554

NOTE: Dual liner back upholstery is used with chairs that have a seat deeper than 17" or back wider than 18".

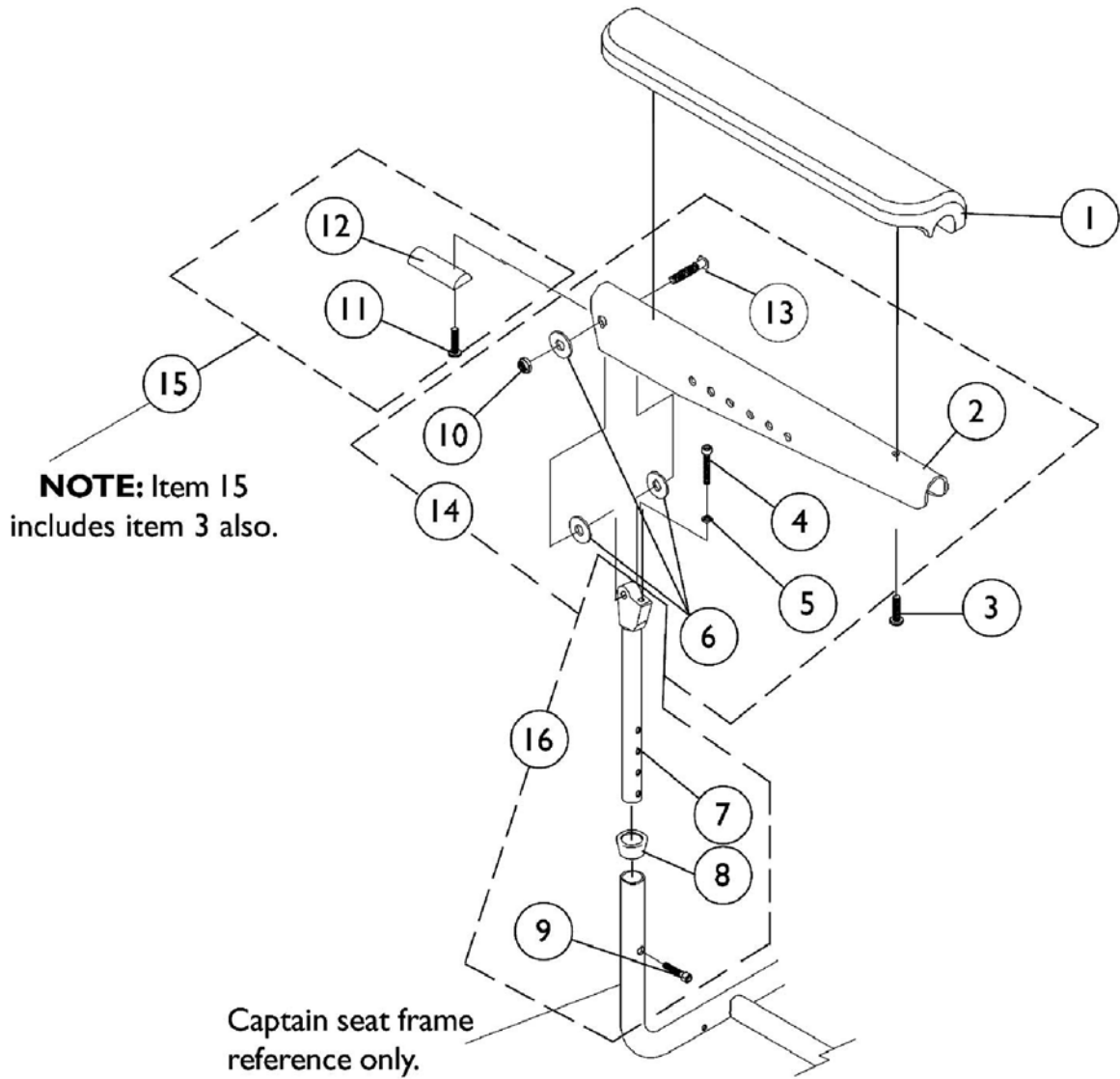
NOTE: Specify upholstery colors, see page titled "Frame Finishes and Upholstery Colors".

## Vinyl Back Upholstery Hardware

Part Number	Description
1026298	2 each - Screw with Washer (10 7/8") 2 each - Cable Ties

# Captain Seat Arms and Hardware

## 18" Wide Models



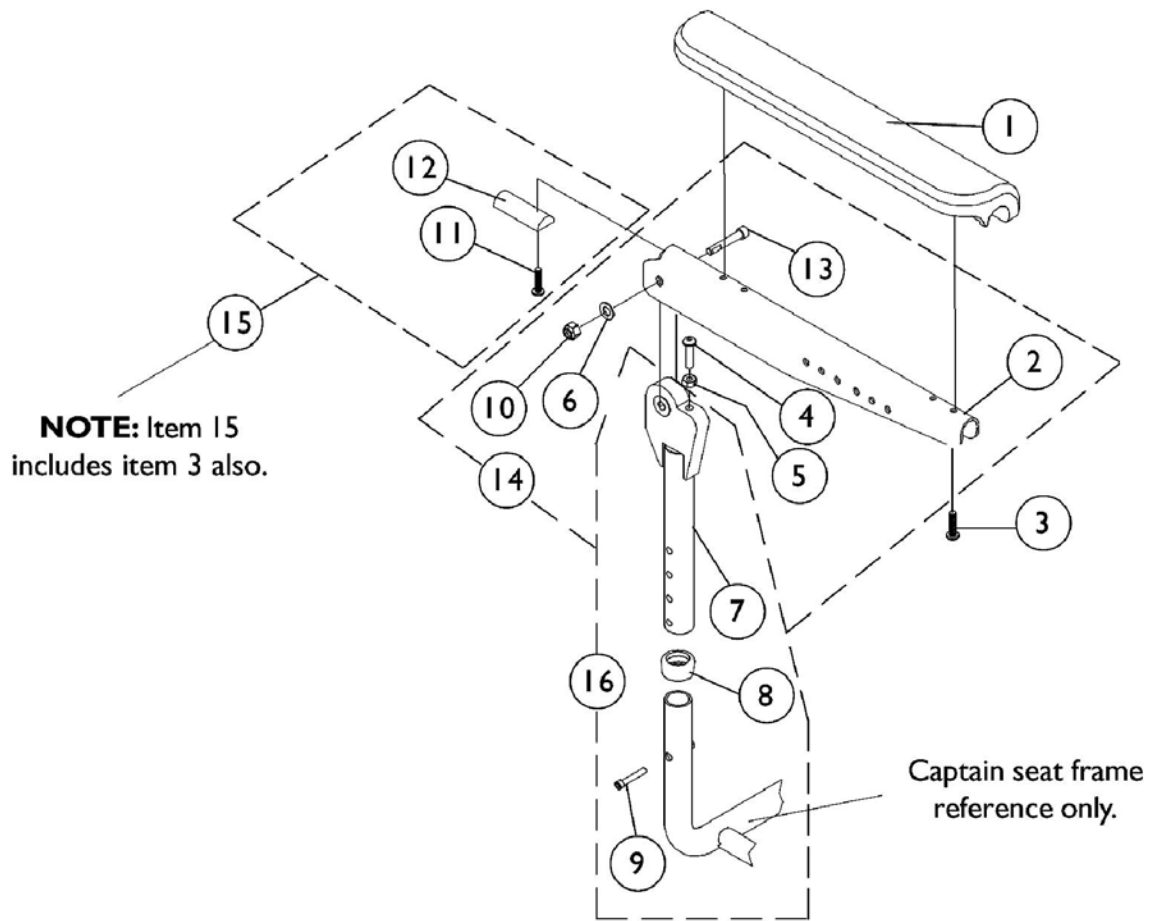
## Captain Seat Arms and Hardware 18" Wide Models

Item Number	Note	Part Number	Description	Quantity Per	
				Package	Assembly
1	A	1117328	Arm Pad, Full Length, Urethane Waterfall with Screws, Black (13" L x 2-5/8" W)	1	2
2		1071359	Plate, Armrest (Black)	1	2
3		1028755	Screw, Phillips Pan Head (#10-32 x 5/8")	1	4
4		1009837	Screw, Socket Button Head (1/4-20 x 1")	1	2
5		1025711	Nut, Hex (1/4-20)	1	2
6		1025704	Washer, Flat (5/16 x 5/8 x 1/16")	1	6
7		1070928	Arm Tube, Upper Height and Width Adjustable (Black)	1	2
8		15680X013	Anti-Rattle (1")	1	2
9		7930304	Screw, Socket Head (1/4-20 x 1-1/4")	25	2
10		1026906	Locknut (5/16-24)	1	2
11		1102546	Screw, Phillips Pan Head (#10-32 x 7/8")	1	2
12		1070106	Insert, Armrest	1	2
13		1031026	Screw w/ Lug (5/16-24 x 1-3/8")	1	2
14	B	1074120	Kit, Armrest Attaching Hardware (Pair)	2	1
15	C	1073378	Kit, Arm Pad Attaching Hardware	2	1
16	D	1070756	Arm Tube Assembly, Upper Adjustable (Pair)	2	1

NOTE: A - As of 1/3/02 upholstered waterfall armpads were replaced with black urethane waterfall armpads. Order in pairs for chairs manufactured before 1/3/02.  
 B - Includes items 2, 4, 5, 6, 10, 13  
 C - Includes items 3, 11, 12  
 D - Includes items 7-9

# Captain Seat Arms and Hardware

## 20" Wide Models



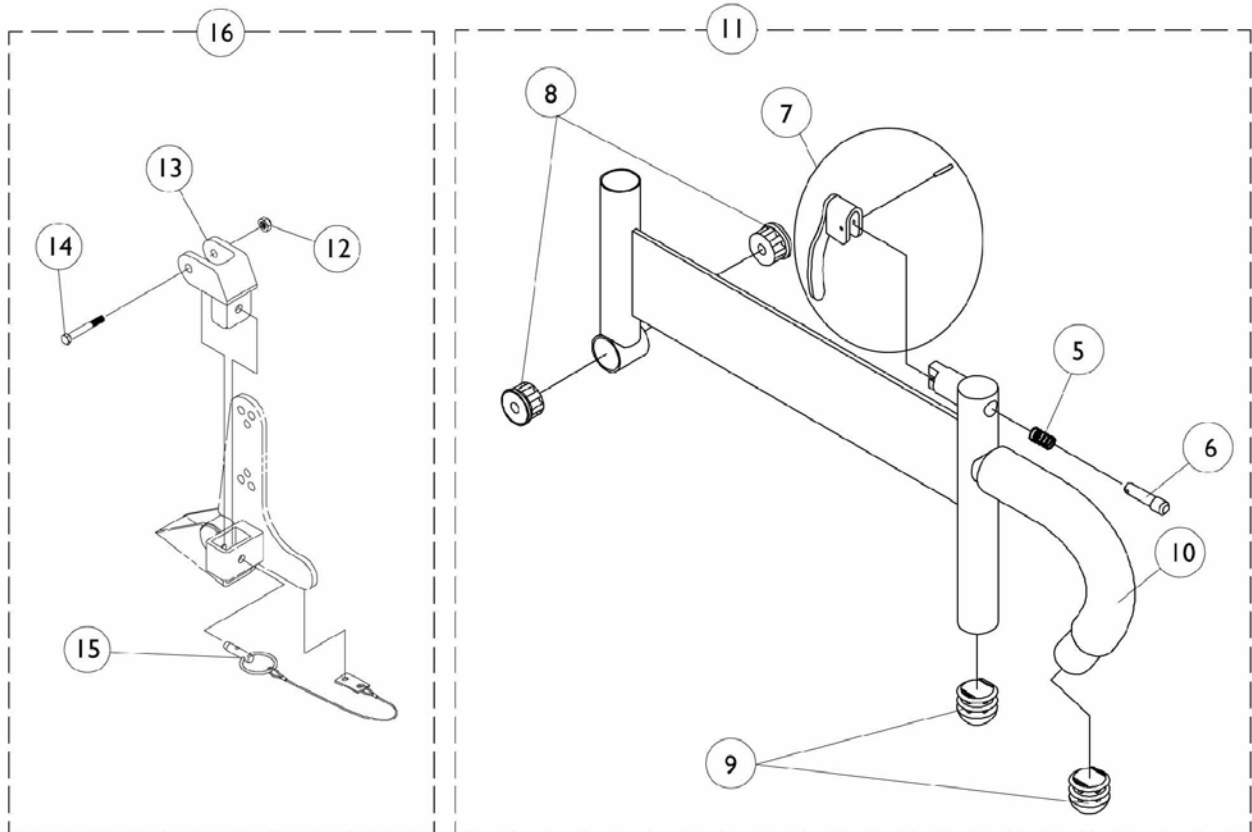
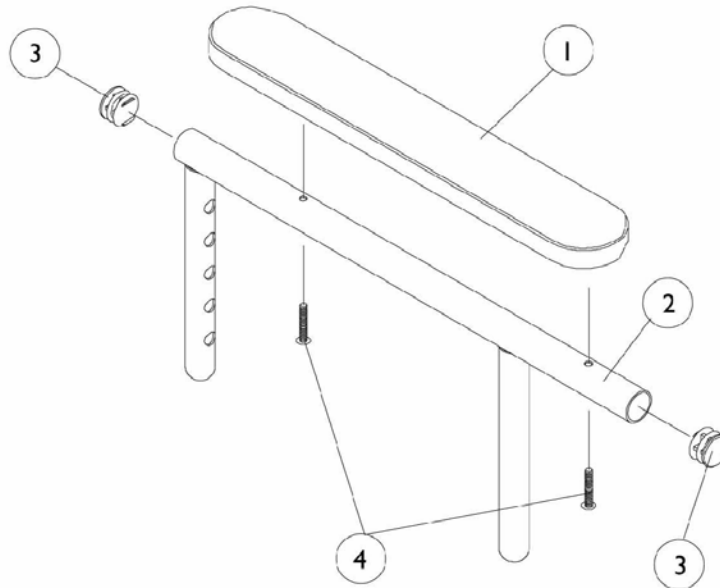
## Captain Seat Arms and Hardware 20" Wide Models

Item Number	Note	Part Number	Description	Quantity Per	
				Package	Assembly
1	A	1117328	Arm Pad, Full Length, Urethane Waterfall with Screws, Black (13" L x 2-5/8" W)	1	2
2		1101912	Plate, Armrest	1	2
3		1028755	Screw, Phillips Pan Head (#10-32 x 5/8")	1	2
4		1009837	Screw, Socket Button Head (1/4-20 x 1")	1	2
5		1025711	Nut, Hex (1/4-20)	1	2
6		1025704	Washer, Flat (5/16 x 5/8 x 1/16")	1	2
7		1101914	Arm Tube, Upper Adjustable	1	2
8		1101110	Anti-Rattle	1	2
9		1038379	Screw, Socket Head Cap w/ Patch (1/4-20 x 1-1/2")	1	2
10		1026906	Locknut (5/16-24)	1	2
11		1102546	Screw, Phillips Pan Head (#10-32 x 7/8")	1	2
12		1101634	Insert, Armrest	1	2
13		1031026	Screw w/ Lug (5/16-24 x 1-3/8")	1	2
14	B	1101917	Hardware, Armrest Attaching (Pair)	2	1
15	C	1101916	Hardware, Arm Pad Attaching (Pair)	2	1
16	D	1101915	Arm Tube Assembly, Upper Adjustable (Pair)	2	1

NOTE: A - As of 1/3/02 upholstered waterfall armpads were replaced with black urethane waterfall armpads. Order in pairs for chairs manufactured before 1/3/02.  
 B - Includes items 2, 4, 5, 6, 10, 13  
 C - Includes items 3, 11, 12  
 D - Includes items 7-9



# Arms, Adjustable Height 14-15" Deep Seat Frames

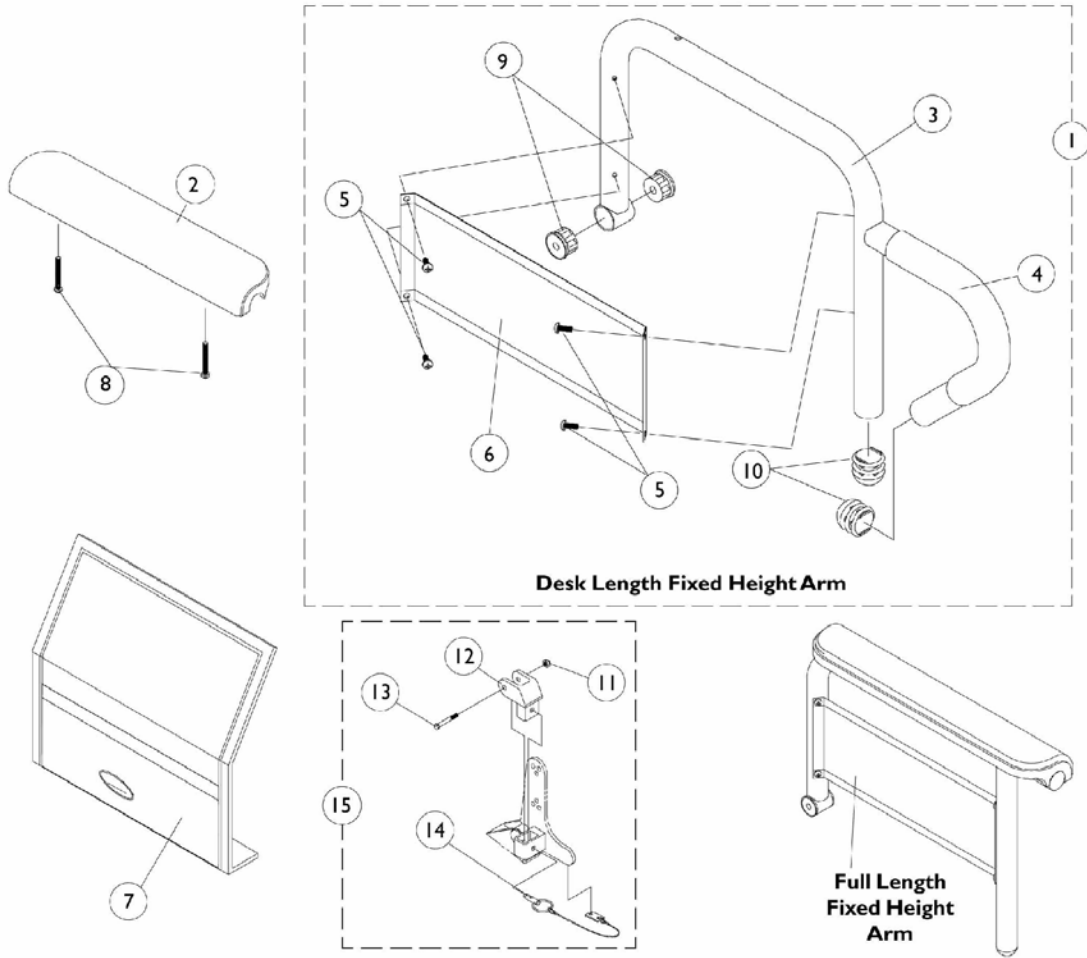


## Arms, Adjustable Height 14-15" Deep Seat Frames

Item Number	Note	Part Number	Description	Quantity Per	
				Package	Assembly
1	A	8881015932	Arm Pad, Vinyl, Full Length (14" L x 2" W) - Right	1	1
1	A	8881015933	Arm Pad, Vinyl, Full Length (14" L x 2" W) - Left	1	1
1	A	8881053577	Arm Pads, Vinyl, Full Length with Screws (14" L x 2" W)	2	1
1	A	8881011811	Arm Pad, Vinyl, Desk Length (9" L x 2" W)	1	1
1	A	8881053578	Arm Pads, Vinyl, Desk Length with Screws (9" L x 2" W)	2	1
2		1071263	Upper Arm Assembly, Adjustable Height with Plug Buttons - Full Length	1	1
2		1071259	Upper Arm Assembly, Adjustable Height with Plug Buttons - Desk Length	1	1
3		1027095	Plug Button, Black (7/8")	1	2
4		1055949	Screws, Phillips Pan Head (#10-32 x 1-1/8")	2	1
5		47471X074	Spring, Arm Lock	1	1
6		1028594	Pin, Arm Lock	1	1
7		1090768	Kit, Lock Handle w/Rivets (both LT & RT side)	2	1
8		1065936	Plug, Pivot	1	2
9		1067734	Plug Button, Black (5/8")	1	2
10		1016298	Grip, Push Handle	1	1
11	B	1068585	Arm Base Assembly, Adjustable Height - Right (Black)	1	1
11	B	1068586	Arm Base Assembly, Adjustable Height - Left (Black)	1	1
12		7930323	Package, Locknut (1/4-20)	25	1
13		1068025	Clevis, Pivot	1	1
14		1019590	Screw, Socket Button Head (1/4-20 x 1-5/8")	1	1
15		1068039	Pin, Pull	1	1
16	C	1068488	Kit, Swingaway Armrest Mounting Hardware	1	1

NOTE: A - Specify upholstery color when ordering.  
 B - Includes items 5-10.  
 C - Includes items 12-15.

# Arms, Fixed Height 16-20" Deep Seat Frames



## #1 - Arms Less Arm Pad 16-19" Deep Seat Frame

Arms Style	Right	Left
Desk	1068566	1068567
Full	1068559	1068560

**Arms, Fixed Height**  
**16-20" Deep Seat Frames**  
**#1 - Arms Less Arm Pad**  
**20" Deep Seat Frame**

Arm Style	Right	Left
Desk Long	1068540	1068541
Full Long	1068528	1068529

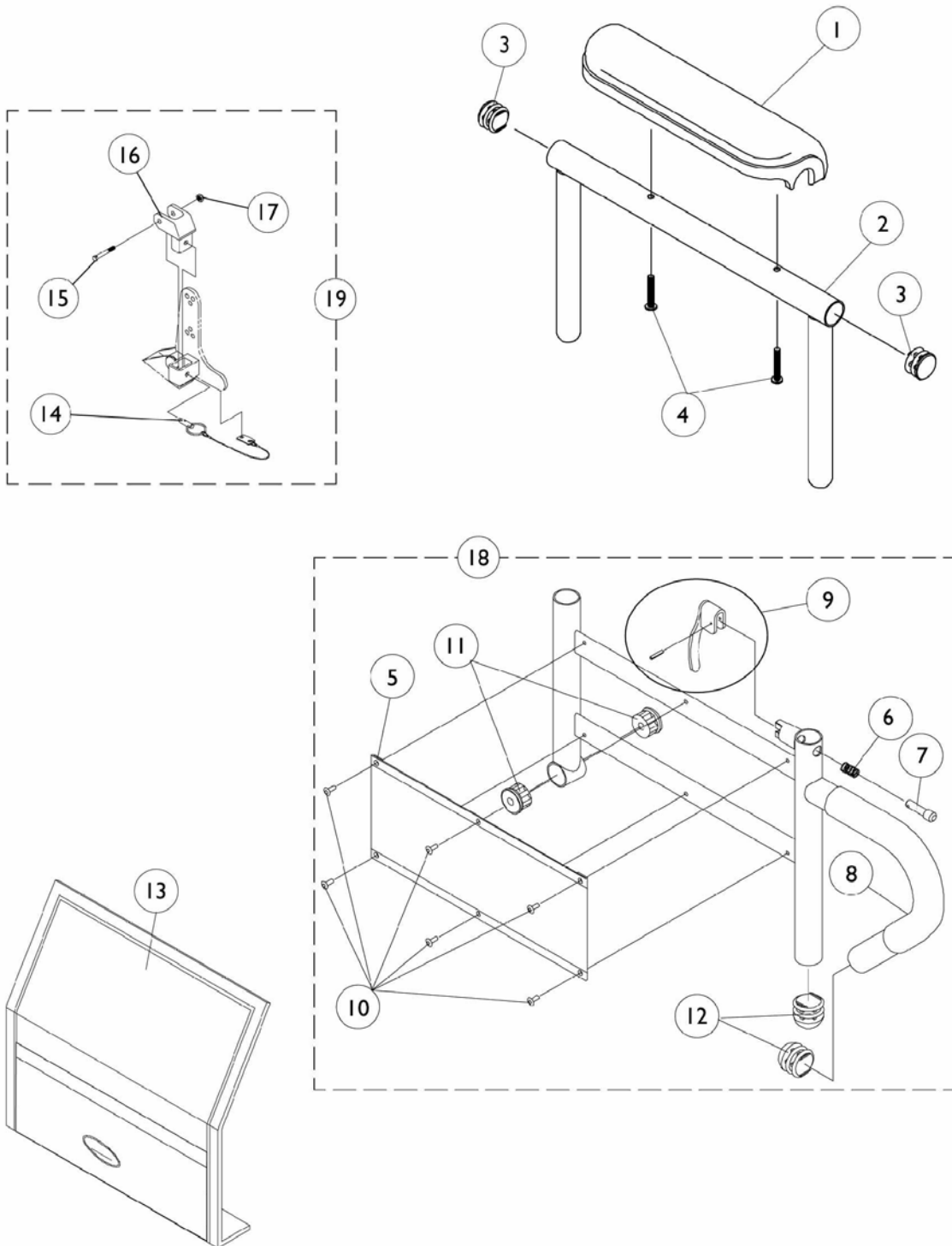
## Arms, Fixed Height 16-20" Deep Seat Frames

Item Number	Note	Part Number	Description	Quantity Per	
				Package	Assembly
1		See Chart	#1 Arms, Fixed Height - Arms Less Arm Pad - 16-19" Deep Seat Frame	1	1
1		See Chart	#1 Arms, Fixed Height - Arms Less Arm Pad - 20" Deep Seat Frame	1	1
2	A	1117328	Arm Pad, Full Length, Urethane Waterfall with Screws, Black (13" L x 2-5/8" W)	1	1
2		1110818	Arm Pads, Full Length, Urethane Waterfall with Screws, Black (13" L x 2-5/8" W) (Pair)	2	1
2	A	1117327	Arm Pad, Desk Length, Urethane Waterfall with Screws, Black (9" L x 2-5/8" W)	1	1
2		1110817	Arm Pads, Desk Length, Urethane Waterfall with Screws, Black (9" L x 2-5/8" W) (Pair)	2	1
3		1068564	Arm Tube, Desk Length 16-19" Deep - Right (Black)	1	1
3		1068565	Arm Tube, Desk Length 16-19" Deep - Left (Black)	1	1
3		1068414	Arm Tube, Desk Length Long 20" and Deeper - Right (Black)	1	1
3		1068415	Arm Tube, Desk Length Long 20" and Deeper - Left (Black)	1	1
3		1068490	Arm Tube, Full Length Standard 16-19" Deep - Right (Black)	1	1
3		1068491	Arm Tube, Full Length Standard 16-19" Deep - Left (Black)	1	1
3		1068473	Arm Tube, Full Length Long 20" and Deeper - Right (Black)	1	1
3		1068474	Arm Tube, Full Length Long 20" and Deeper - Left (Black)	1	1
4		1032244	Grip, Foam Hand (9" Long)	1	1
5		1025729	Screw, Self Tapping Pan Head (#8-32 x 3/8")	1	4
6		1035472	Clothing Guard, Desk Length	1	1
6		1044572	Clothing Guard, Full Length 16-19" Deep	1	1
6		1044005	Clothing Guard, Full Length 20" and Deeper	1	1
7		1035065	Cover, Clothing Guard with Pocket - For Fixed Height Desk Length & Adjustable Height Full/Desk Length	1	1
7		1044588	Cover, Clothing Guard with Pocket For Fixed Height Full Length - 20" and Deeper	1	1
8		1055949	Screws, Phillips Pan Head (#10-32 x 1-1/8")	2	1
8	B	1094270	Screw, Phillips Pan Head (#10-32 x 1-1/4") (Pair)	2	1
9		1065936	Plug, Pivot	1	2
10		1067734	Plug Button, Black (5/8")	1	2
11		7930323	Package, Locknut (1/4-20)	25	1
12		1068025	Clevis, Pivot	1	1
13		1019590	Screw, Socket Button Head (1/4-20 x 1-5/8")	1	1

## Arms, Fixed Height 16-20" Deep Seat Frames

Item Number	Note	Part Number	Description	Quantity Per	
				Package	Assembly
14		1068039	Pin, Pull	1	1
15		1068488	Kit, Swingaway Armrest Mounting Hardware	1	1
NOTE: A - As of 1/3/02 upholstered waterfall armpads were replaced with black urethane waterfall armpads. Order in pairs with screws for chairs manufactured before 1/3/02. B - For Black Urethane, Waterfall Arm Pads only.					

# Arms, Adjustable Height 16-20" Deep Seat Frames



## Arms, Adjustable Height 16-20" Deep Seat Frames

Item Number	Note	Part Number	Description	Quantity Per	
				Package	Assembly
1	A	1117328	Arm Pad, Full Length, Urethane Waterfall with Screws, Black (13" L x 2-5/8" W)	1	1
1		1110818	Arm Pads, Full Length, Urethane Waterfall with Screws, Black (13" L x 2-5/8" W) (Pair)	2	1
1	A	1117327	Arm Pad, Desk Length, Urethane Waterfall with Screws, Black (9" L x 2-5/8" W)	1	1
1		1110817	Arm Pads, Desk Length, Urethane Waterfall with Screws, Black (9" L x 2-5/8" W) (Pair)	2	1
2		1071253	Arm Top, Adjustable Height with Plug Buttons - Full Length (Black)	1	1
2		1070859	Arm Tube, Upper with Plug Buttons (Black) - Desk Length	1	1
3		1027095	Plug Button, Black (7/8")	1	2
4		1055949	Screws, Phillips Pan Head (#10-32 x 1-1/8")	2	1
4	B	1094270	Screw, Phillips Pan Head (#10-32 x 1-1/4") (Pair)	2	1
5		1064130	Clothing Guard	1	1
6		47471X074	Spring, Arm Lock	1	1
7		1028594	Pin, Arm Lock	1	1
8		1032244	Grip, Foam Hand (9" Long)	1	1
9		1090768	Kit, Lock Handle w/Rivets (both LT & RT side)	2	1
10		1028645	Rivet	1	6
11		1065936	Plug, Pivot	1	2
12		1067734	Plug Button, Black (5/8")	1	2
13		1035065	Cover, Clothing Guard with Pocket - For Fixed Height Desk Length & Adjustable Height Full/Desk Length	1	1
14		1068039	Pin, Pull	1	1
15		1019590	Screw, Socket Button Head (1/4-20 x 1-5/8")	1	1
16		1068025	Clevis, Pivot	1	1
17		7930323	Package, Locknut (1/4-20)	25	1
18		1068416	Arm Base, Adjustable Height 16-19" Deep - Right (Black)	1	1
18		1068417	Arm Base, Adjustable Height 16-19" Deep - Left (Black)	1	1
18		1068418	Arm Base, Adjustable Height 20" and Deeper - Right (Black)	1	1
18		1068419	Arm Base, Adjustable Height 20" and Deeper - Left (Black)	1	1
18		1067761	Arm Base, 1" Lower, Adjustable Height 16-19" Deep - Right (Black)	1	1
18		1067762	Arm Base, 1" Lower, Adjustable Height 16-19" Deep - Left (Black)	1	1
18		1067755	Arm Base, 1" Lower, Adjustable Height 20" and Deeper - Right (Black)	1	1



## Arms, Adjustable Height 16-20" Deep Seat Frames

Item Number	Note	Part Number	Description	Quantity Per	
				Package	Assembly
18		1067756	Arm Base, 1" Lower, Adjustable Height 20" and Deeper - Left (Black)	1	1
19		1068488	Kit, Swingaway Armrest Mounting Hardware	1	1
NOTE: A - As of 1/3/02 upholstered waterfall armpads were replaced with black urethane waterfall armpads. Order in pairs with screws for chairs manufactured before 1/3/02. B - For Black Urethane, Waterfall Arm Pads only.					

# Front Riggings Reference Chart

## AT5544, 60HD, 70NHD, and PW93

NOTE: Calf pads with attaching hardware not included on legrest.

NOTE: Pivot/Slide tube attaching hardware not included.

NOTE: Pivot/Slide tube and footplates do not include heel loops. See footrest and legrest accessories.

### Pivot/Slide Tubes

Model Number	Description
1651	Composite footplate with 9-7/8" curved pivot/slide tube.
AT5543	Adjustable angle footplate with 9-7/8" straight pivot/slide tube.
1450	Deluxe aluminum footplate with "L" style pivot/slide tube.
1350	Extra large footplate with "L" style pivot/slide tube.

### Upper Support Assemblies

NOTE: Pivot/Slide tube and footplate are interchangeable with the support assemblies listed here.

Side	AT5544	60HD	70NHD	PW93
Right	8881045291 See Note(s) A	8881053158 See Note(s) A	8881053149 See Note(s) A	8881070776 See Note(s) A
Left	8881045292 See Note(s) A	8881053157 See Note(s) A	8881053148 See Note(s) A	8881070777 See Note(s) A

NOTE: A - Specify frame color when ordering, see page titled "Frame Finishes and Touchup Paints".

### Pivot/Slide Tube and Footplates

	1651 14" Wide	1651 15-16" Wide	1651 17-20" Wide	1350 17-20" Wide	AT5543 14-15" Wide	AT5543 16-20" Wide
Right	1057859	1057869	1057879	1026395	1060444	1062756
Left	1057860	1057870	1057880	1026396	1060445	1062757

# Front Riggings Reference Chart

## AT5544, 60HD, 70NHD, and PW93

NOTE: Calf pads with attaching hardware not included on legrest.

NOTE: Pivot/Slide tube attaching hardware not included.

NOTE: Pivot/Slide tube and footplates do not include heel loops. See footrest and legrest accessories.

### 2" Longer Pivot/Slide Tube and Footplates

Side	1651 14" Wide	1651 15-16" Wide	1651 17-20" Wide	1350 17-20" Wide	AT5543 14-15" Wide	AT5543 16-20" Wide
Right	1057861	1057871	1057881	1086515	1062758	1062760
Left	1057862	1057872	1057882	1086517	1062759	1062761

### 4" Longer Pivot/Slide Tube and Footplates

Side	1651 14" Wide	1651 15-16" Wide	1651 17-20" Wide	1350 17-20" Wide
Right	1058419	1058421	1058423	1086516
Left	1058420	1058422	1058424	1086518

### Support Assemblies with Pivot/Slide Tube and Footplate

Side	Support Assemblies AT5544	Pivot/Slide Tube & Footplate 1450 16-20" Wide
Right	8881045291  See Note(s) A	1028723
Left	8881045292  See Note(s) A	1028724

NOTE: A - Specify frame color when ordering, see page titled "Frame Finishes and Touch-up Paints".

# Front Riggings Reference Chart 70ST

## Pivot/Slide Tube & Footplates

**NOTE: Pivot/Slide tube attaching hardware not included.**

**NOTE: Pivot/Slide tube and footplates do not include heel loops. See footrest and legrest accessories.**

Model Number	Description
1651	1651 Composite footplate with 9-7/8" curved pivot/slide tube.

## Support Assembly

**NOTE: Pivot/Slide tube and footplates are interchangeable with the support assemblies listed here.**

Side	70ST Tapered Upper Support
Right	8881026996  See Note(s) A
Left	8881026997  See Note(s) A

NOTE: A - Specify Frame Color when ordering, see page titled "Frame Color and Touch-up Paint".

## Pivot/Slide Tube & Footplates

Side	1651 15-17" Wide	1651 18-19" Wide	1651 20" Wide
Right	1057859	1057869	1057879
Left	1057860	1057870	1057880

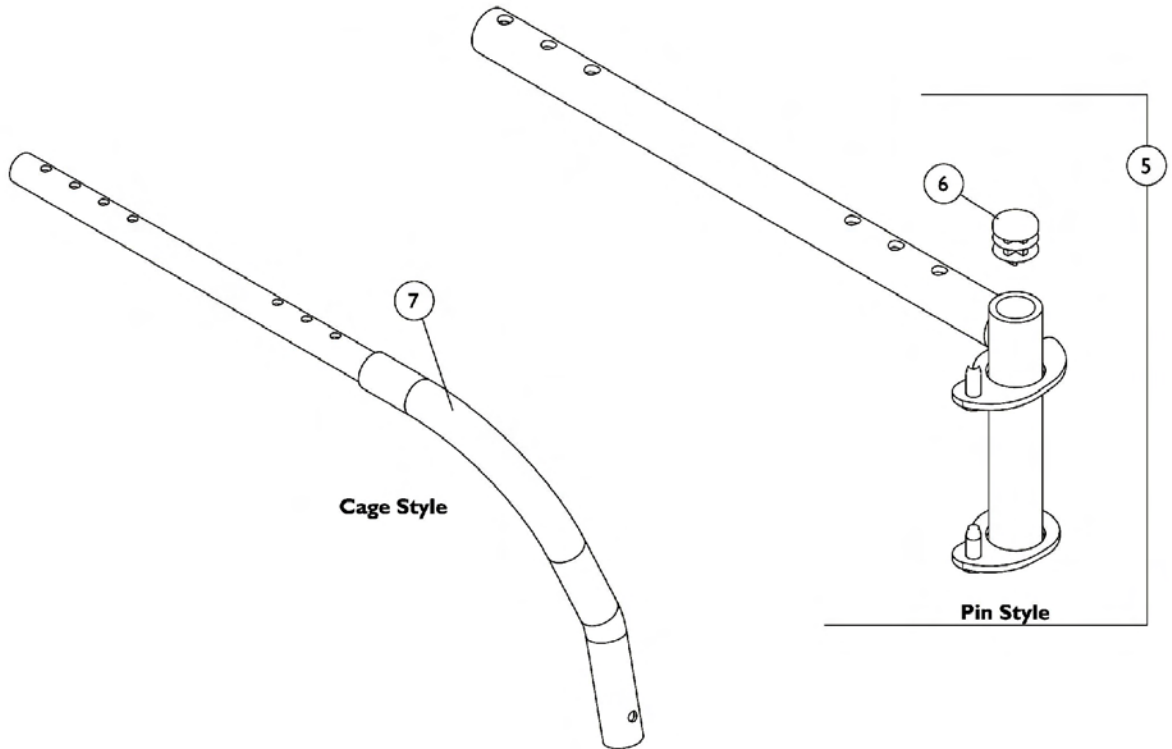
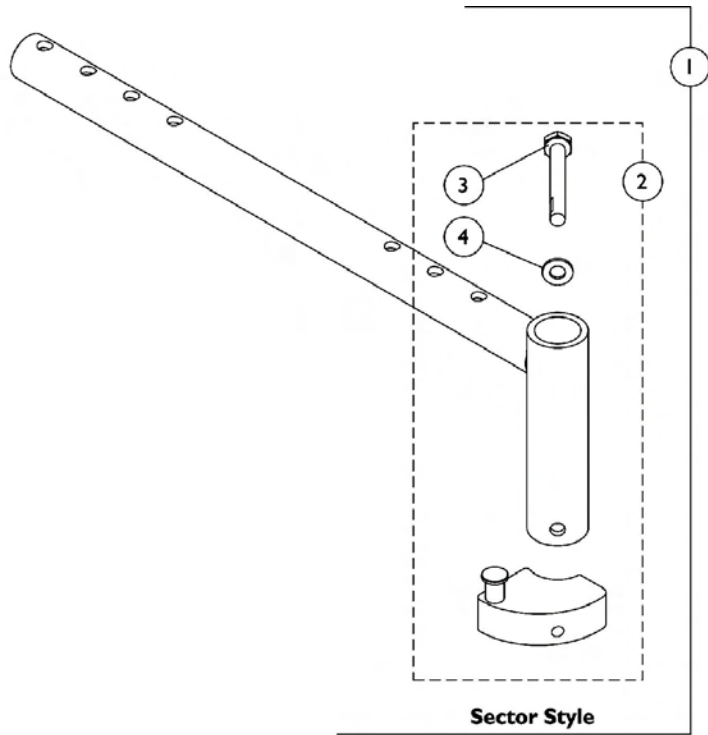
## 2" Longer Pivot/Slide Tube & Footplates

Side	1651 15-17" Wide	1651 18-19" Wide	1651 20" Wide
Right	1057861	1057871	1057881
Left	1057862	1057872	1057882

# Front Rigging Hanger Assembly

## Pin, Sector and Cage Style

**NOTE:** Front rigging hanger assemblies and seat pans share the same mounting hardware, see Seat Pan and Mounting Hardware page.



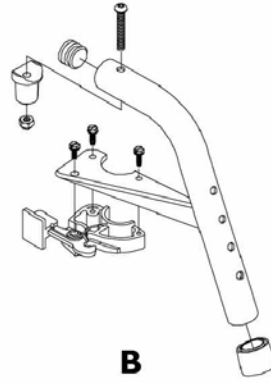
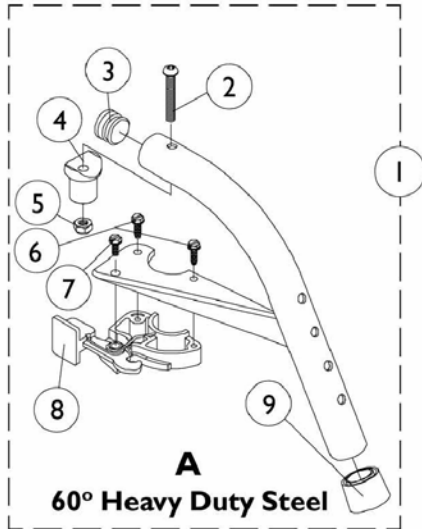
## Front Rigging Hanger Assembly Pin, Sector and Cage Style

**NOTE: Front rigging hanger assemblies and seat pans share the same mounting hardware, see Seat Pan and Mounting Hardware page.**

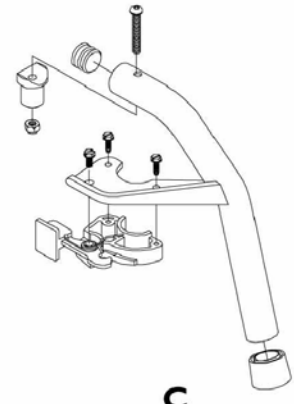
Item Number	Note	Part Number	Description	Quantity Per	
				Package	Assembly
1	A	1068435	Front Rigging Hanger Assembly, Sector Style (12-21" Deep) - Right	1	1
1	A	1068436	Front Rigging Hanger Assembly, Sector Style (12-21" Deep) - Left	1	1
2	B	1054571	Kit, Sector Block - Right	1	1
2	B	1054572	Kit, Sector Block - Left	1	1
3		1052957	Screw, Hex Head (1/4-20 x 2")	1	1
4		1026907	Washer (1/4 x 1/2 x 1/16")	1	1
5	C	1070356	Hanger Assembly, Front Rigging, Pin Style - (12-21" Deep), Right	1	1
5	C	1070357	Hanger Assembly, Front Rigging, Pin Style - (12-21" Deep), Left	1	1
6		1027097	Plug Button, Black (3/4")	1	1
7		1106160	Hanger Assembly, Front Rigging, Cage Style - Right	1	1
7		1106161	Hanger Assembly, Front Rigging, Cage Style - Left	1	1

NOTE: A - Includes front rigging hanger and item 2  
 B - Includes sector block assembly and items 3 and 4  
 C - Includes front rigging hanger and item 6

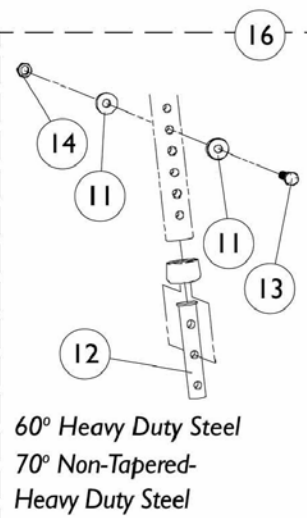
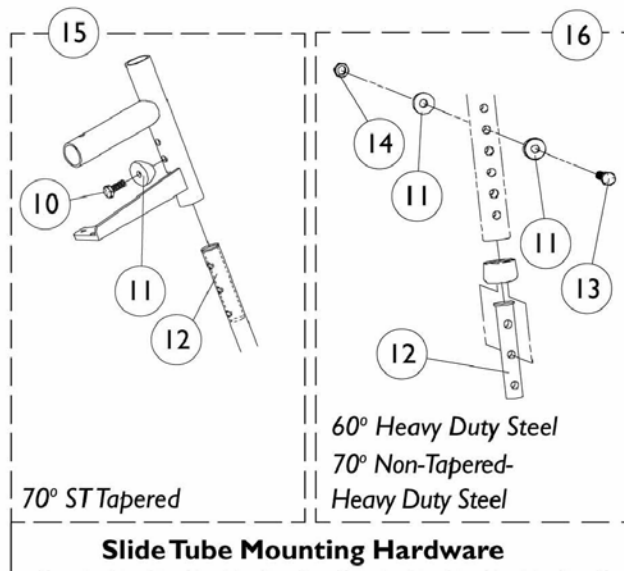
# Footrest Support Assemblies Sector Style



70° Non-Tapered  
Heavy Duty Steel



70° ST Tapered



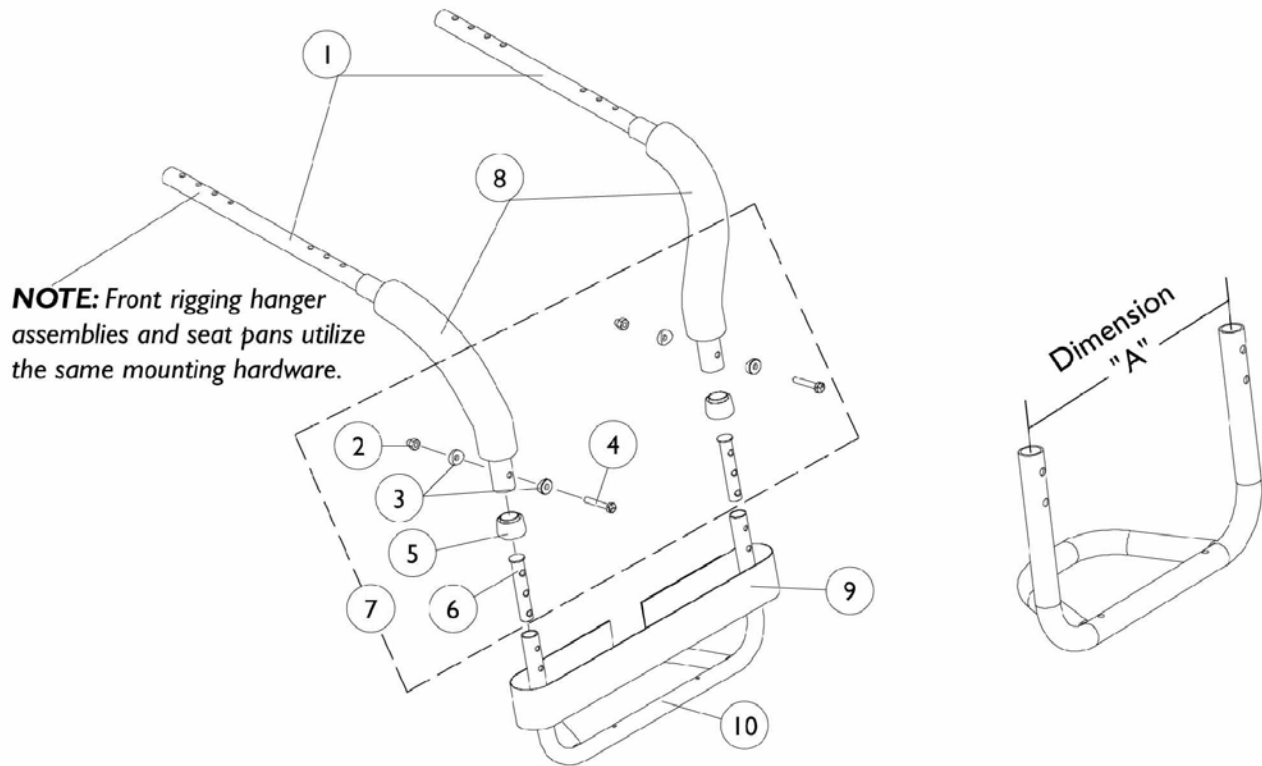
**Slide Tube Mounting Hardware**

## Footrest Support Assemblies Sector Style

Item Number	Note	Part Number	Description	Quantity Per	
				Package	Assembly
1	A,D,E	8881053158	Footrest Support Assembly, 60° Heavy Duty, Sector, Color - Right	1	1
1	A,D,E	8881053157	Footrest Support Assembly, 60° Heavy Duty, Sector, Color - Left	1	1
1	B,D,E	8881053149	Footrest Support Assembly, 70° Non-Tapered Heavy Duty, Sector, Color - Right	1	1
1	B,D,E	8881053148	Footrest Support Assembly, 70° Non-Tapered Heavy Duty, Sector, Color - Left	1	1
1	C,D,E	8881026996	Footrest Support Assembly, 70° Tapered, Sector, Color - Right	1	1
1	C,D,E	8881026997	Footrest Support Assembly, 70° Tapered, Sector, Color - Left	1	1
2		7930321	Screw, Socket Button Head (1/4-20 x 1-7/8")	25	1
3		1029501	Plug Button, Black (1")	1	1
4		1017148	Plug, Pivot	1	1
5		7930333	Locknut (1/4-20)	25	1
6		1025451	Screw, Slotted Hex Washer Head (#10-32 x 5/8")	1	2
7		7930314	Screw, Slotted Hex Head (#10-32 x 1/2")	25	1
8		1025454	Latch Housing - Right	1	1
8		1025455	Latch Housing - Left	1	1
9		1026124	Anti-Rattle Collar	1	1
10		1045267	Screw, Hex Head (1/4-20 x 3/4")	1	1
11		1026099	Spacer, Coved (1/4 x 11/16 x 1/2")	1	2
12		1020534	Insert, Threaded	1	1
13		1070759	Screw, Hex Head (1/4-20 x 1-1/2")	1	1
14		7930338	Nut, Acorn (1/4-20)	25	1
15	F	1026703	Kit, Pivot/Slide Tube Mounting Hardware (Pair)	2	1
16	G	1057846	Kit, Pivot/Slide Tube Mounting Hardware (Pair)	2	1
NOTE: A - See Image "A". B - See Image "B". C - See Image "C". D - Specify frame color when ordering. E - Includes items 2-9. F - Includes items 10-12. G - Includes items 11-14.					



# Cage Style Footrest



Item Number	Note	Part Number	Description	Quantity Per	
				Package	Assembly
1		1106160	Hanger Assembly, Front Rigging, Cage Style - Right	1	1
1		1106161	Hanger Assembly, Front Rigging, Cage Style - Left	1	1
2		7930338	Nut, Acorn (1/4-20)	25	2
3		1026099	Spacer, Coved (1/4 x 11/16 x 1/2")	1	4
4		1070759	Screw, Hex Head (1/4-20 x 1-1/2")	1	2
5		1026124	Anti-Rattle Collar	1	2
6		1020534	Insert, Threaded	1	2
7	A	1108975	Hardware, Cage Style Footrest Mounting	2	1
8		1026846	Impact Guard, 12" Long	1	2
9		1032243	Calf Strap w/ Hook and Loop (36" Long)	1	1
10		See Chart	#10 Cage Style Footrest	1	1

**NOTE:** A - Includes Items 2-6.

# Cage Style Footrest

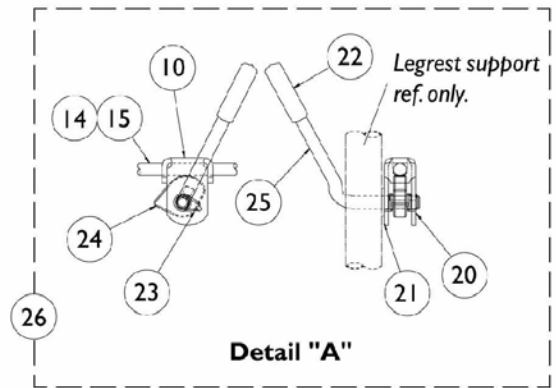
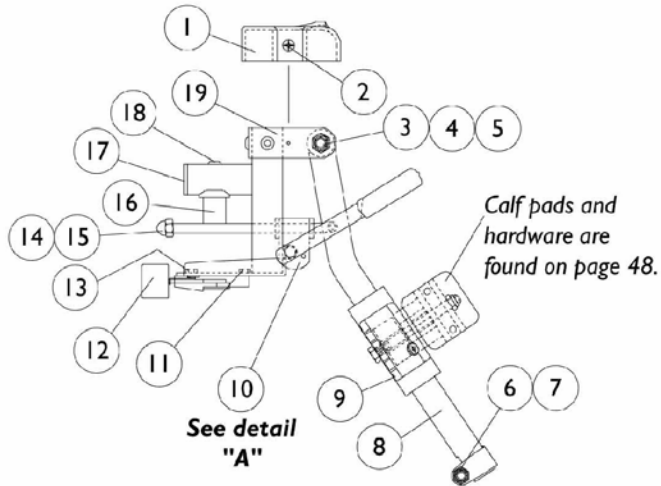
## #10 Cage Style Footrest

Chair Width	Dimension "A" on Illustration	Part Number
14"	9"	1106595
15"	10"	1106596
16"	11"	1106597
17"	12"	1106598
18"	13"	1106599
19"	14"	1106600
20"	15"	1106601

# AT5544 Legerst Supports

## Sector Style

### 14-20" Wide Chairs



# AT5544 Legerst Supports

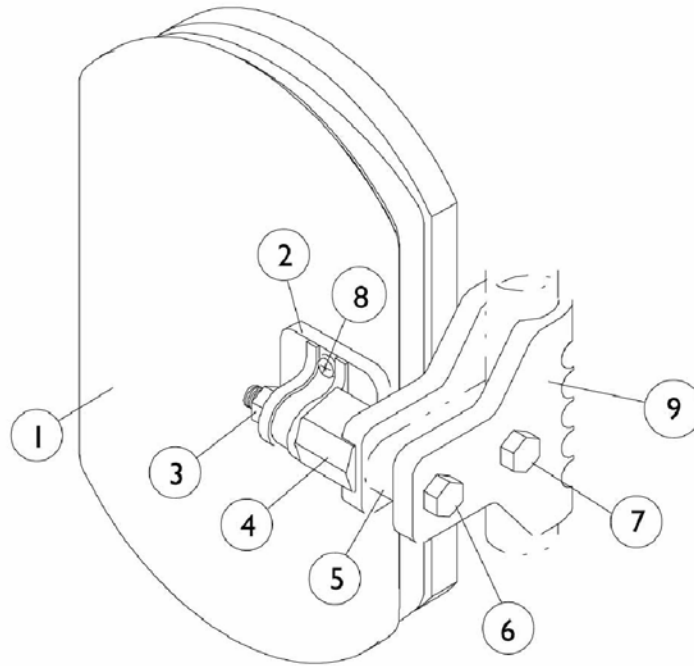
## Sector Style

### 14-20" Wide Chairs

Item Number	Note	Part Number	Description	Quantity Per	
				Package	Assembly
1		1017187	Cover, Top	1	1
2		1028529	Screw, Phillips Pan Head (#8-32 x 3/8")	1	1
3		40363X000	Hex Nut (3/8"-16)	1	1
4		1058636	Washer, Nylon (25/64 x 7/8 x 1/32")	1	1
5		11919X000	Screw, Truss Head (3/8-16 x 1-1/2")	1	1
6		7930330	Locknut (5/16-24)	25	3
7		1026030	Screw, Lug (5/16-24 x 1-3/8")	1	1
8		1043556	Tube, Elevating Support (Black) - Right	1	1
8		1043557	Tube, Elevating Support (Black) - Left	1	1
8	A	8881048851	Tube, Elevating Support (Color) - Right	1	1
8	A	8881048852	Tube, Elevating Support (Color) - Left	1	1
9		1032266	Bracket, Legrest Pad Mounting	1	1
10		04528X002	Bracket, Release (Chrome)	1	1
11		1025451	Screw, Slotted Hex Washer Head (#10-32 x 5/8")	1	2
12		1025454	Latch Housing - Right	1	1
12		1025455	Latch Housing - Left	1	1
13		7930314	Screw, Slotted Hex Head (#10-32 x 1/2")	25	1
14		42326X001	Bar, Ratchet	1	1
15		7930336	Nut, Acorn (5/16-24)	25	1
16		1017148	Plug, Pivot	1	1
17		1029501	Plug Button, Black (1")	1	1
18		7930301	Package, Button Head Cap Screws (1/4-20 x 1-3/4")	25	1
19	A	8881045289	Bracket, Legrest Support - Right	1	1
19	A	8881045290	Bracket, Legrest Support - Left	1	1
20		1040831	Snap Ring	1	1
21		7930310	Washer, Nylon (5/16 x 11/16 x 1/16")	25	1
22		1040060	Tip, Black Plastic	1	1
23		1037485	Spring, Release	1	1
24		1037125	Cam, Legrest	1	1
25		1037126	Handle, Release	1	1
26	B	1096974	Kit, Ratchet Elevating Legrest	1	1
	C	1096943	Instruction Sheet, Ratchet Kit	1	1
	A,C	8881045291	Legrest Support Assembly, Sector, Color - Right	1	1
	A,C	8881045292	Legrest Support Assembly, Sector, Color - Left	1	1

NOTE: A - Specify frame color when ordering.  
 B - Includes Items 10, 14, 15, and 20-25.  
 C - Not Shown

# Calf Pads and Attaching Hardware

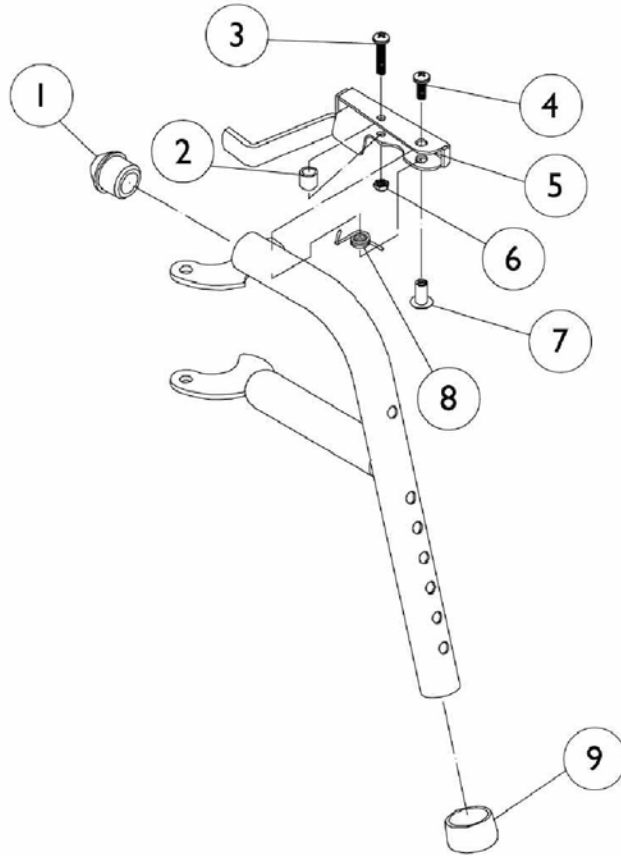
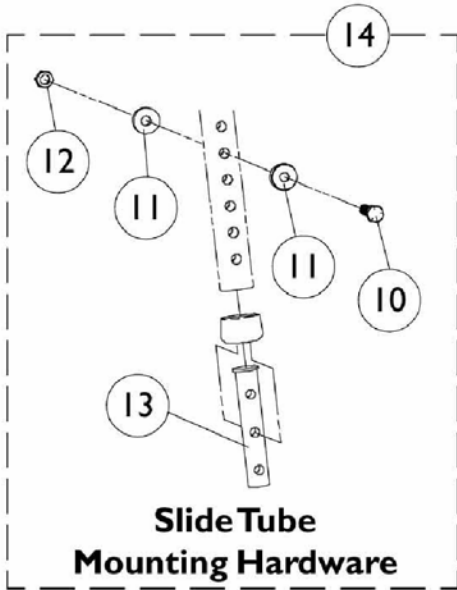


Item Number	Note	Part Number	Description	Quantity Per	
				Package	Assembly
1	A,B	8881091759	Pad w/Cover and Screws, Legrest Vinyl (Pair)	2	1
1	A,B	8881091764	Pad, Legrest Vinyl - Right/Left	1	1
1	A,C	88804529X003	Pad, Legrest Vinyl - Right	1	1
1	A,C	88804529X004	Pad, Legrest Vinyl - Left	1	1
2		04526X019	Plate, Legrest Pad	1	1
3		7930330	Locknut (5/16-24)	25	1
4		1025133	Spacer, Legrest Pad	1	1
5		1032267	Spacer, Legrest Pad Mounting	1	1
6		1037110	Screw, Hex Head (5/16-24 x 3-1/2")	1	1
7		1028514	Screw, Hex Head (5/16-24 x 1-1/2")	1	1
8		1066591	Screws, Phillips Head (#10-32 x 11/16")	2	1
9		1032266	Bracket, Legrest Pad Mounting	1	1

NOTE: A - Specify upholstery color, see page titled "Frame Finishes and Upholstery Colors".  
 B - 16" - 20" Wide Chairs  
 C - 14" - 15" Wide Chairs

# PW93 Footrest Supports

## Pin Style



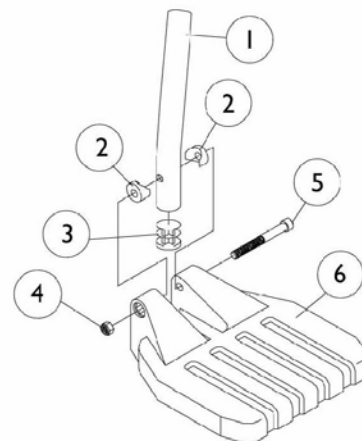
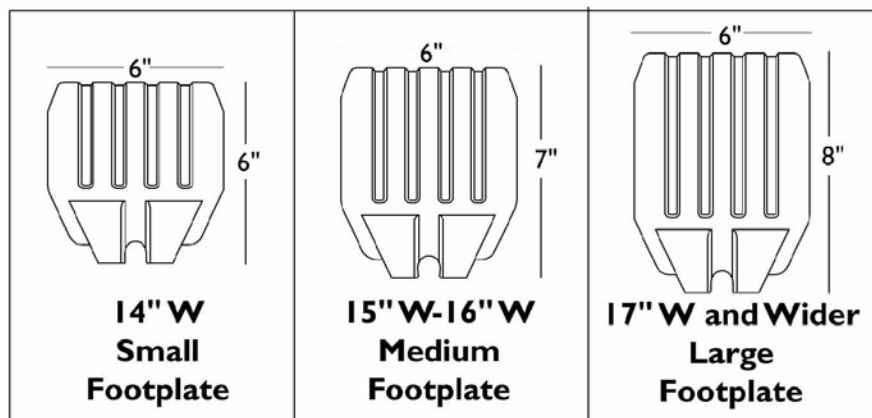
## PW93 Footrest Supports Pin Style

Item Number	Note	Part Number	Description	Quantity Per	
				Package	Assembly
1		1020719	Anti-Rattle, Black	1	1
2		47565X057	Bushing (7/32 x 3/8 x 11/32")	1	1
3		7930328	Screw, Phillips Pan Head (#10-32 x 11/16")	25	1
4		7930335	Screw, Phillips Pan Head (#10-32 x 1/2")	25	1
5		1035539	Handle, Release (Black) - Right	1	1
5		1035540	Handle, Release (Black) - Left	1	1
6		7930332	Locknut, High Profile (#10-32)	25	1
7		1028846	Rivnut (#10-32)	1	1
8		1028707	Spring, Release - Right	1	1
8		1028708	Spring, Release - Left	1	1
9		15680X012	Collar, Anti-Rattle (7/8")	1	1
10		1070759	Screw, Hex Head (1/4-20 x 1-1/2")	1	1
11		1026099	Spacer, Coved (1/4 x 11/16 x 1/2")	1	1
12		7930338	Nut, Acorn (1/4-20)	25	1
13		1020534	Insert, Threaded	1	1
14	C	1074143	Kit, Slide Tube Mounting Hardware	1	1
	A,B	8881070776	Footrest Support Assembly, Adult, Color - Right	1	1
	A,B	8881070777	Footrest Support Assembly, Adult, Color - Left	1	1
NOTE: A - Specify frame color when ordering. B - Not Shown C - Includes items 10-13.					

# Pivot/Slide Tube and 1651 Composite Footplates

NOTE: Heel loops are not included. See Footrest and Legrest Accessories.

NOTE: For complete pivot/slide tube and footplate assemblies, see Front Rigging Reference Charts.



Item Number	Note	Part Number	Description	Quantity Per	
				Package	Assembly
1		1057852	Pivot/Slide Tube, Curved End (9-7/8") (Steel)	1	1
1		1057854	Pivot/Slide Tube, Curved End 2" Longer (Steel)	1	1
1		1058418	Pivot/Slide Tube, Curved End 4" Longer (Steel)	1	1
2		1025457	Spacer, Coved (1/4 x 3/4 x 1 1/32")	1	2
3		1027097	Plug Button, Black (3/4")	1	1
4		7930323	Package, Locknut (1/4-20)	25	1
5		7930366	Screw, Socket Head Cap (1/4-20 x 2-1/4")	25	1
6	A	1026879	Footplate, Composite - Small (6" W x 6" L)	1	1
6	B	1026880	Footplate, Composite - Medium (7" W x 6" L)	1	1
6	C	1026881	Footplate, Composite - Large (8" W x 6" L)	1	1



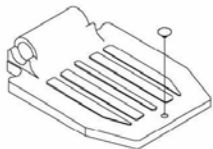

NOTE: A - Chairs 14" Wide or 70STAPER and PW39ST Only 15-17" Wide.  
 B - Chairs 15-16" Wide or 70STAPER and PW39ST Only 18-19" Wide.  
 C - Chairs 17" and Wider or 70STAPER and PW39ST Only 20" and Wider.

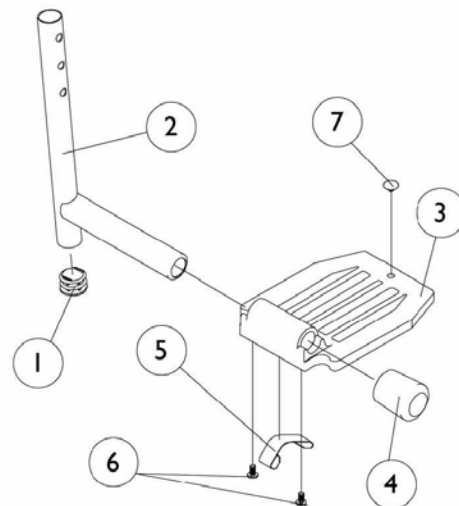


# Pivot/Slide Tube and 1650, 1450, 1350 Aluminum Footplates

NOTE: Heel loops are not included. See Footrest and Legrest Accessories.

NOTE: For complete pivot/slide tube and footplate assemblies, see Front Rigging Reference Charts.

 <p><b>1350 Extra Large</b></p>	 <p><b>1450 Deluxe Aluminum</b></p>
 <p><b>16"-20" Wide 1650 Standard Alum.</b></p>	 <p><b>14" Wide 1650 Standard Alum.</b></p>



## Pivot/Slide Tube and 1650, 1450, 1350 Aluminum Footplates

NOTE: Heel loops are not included. See Footrest and Legrest Accessories.

NOTE: For complete pivot/slide tube and footplate assemblies, see Front Rigging Reference Charts.

Item Number	Note	Part Number	Description	Quantity Per	
				Package	Assembly
1		1027097	Plug Button, Black (3/4")	1	1
2		1048834	Pivot/Slide Tube with Plug Button	1	1
2		1098906	Pivot/Slide Tube with Plug Button - 2" Longer	1	1
2		1086482	Pivot/Slide Tube with Plug Button - 4" Longer	1	1
2		1100571	Pivot/Slide Tube with Plug Button - Deluxe	1	1
3		44200X059	Footplate, Aluminum - Small (6-3/4" W x 6" L)	1	1
3		44200X027	Footplate, Aluminum - Medium (7-3/4" W x 6" L)	1	1
3		1043659	Footplate, Aluminum - Deluxe (8" W x 5-3/4" L) - Right	1	1
3		1043660	Footplate, Aluminum - Deluxe (8" W x 5-3/4" L) - Left	1	1
3		44200X025	Footplate, Aluminum - Extra Large (8" W x 8-1/2" L) - Right	1	1
3		44200X026	Footplate, Aluminum - Extra Large (8" W x 8-1/2" L) - Left	1	1
4		1016346	Cap, Tube End (7/8")	1	1
4		1027095	Plug Button, Black (7/8")	1	1
5		1006981	Spring, Leaf	1	2
5		1036120	Spring	1	2
5		1036123	Spring, Leaf	1	1
6	A	7930354	Package, Phillips Head Screw (#8-32 x 3/8")	25	2
7		1070168	Push Plug, Footplate	1	1

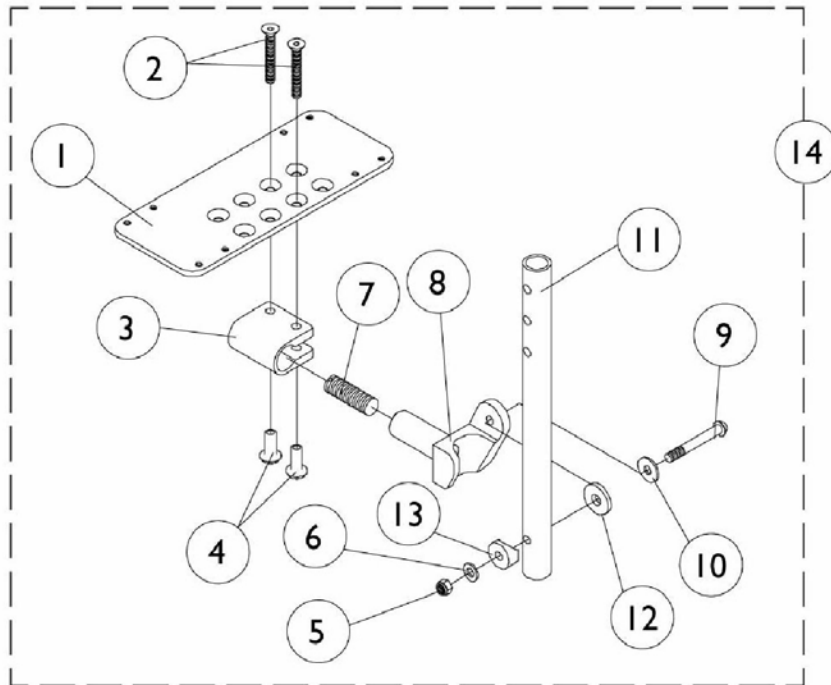
NOTE: A - Deluxe takes quantity (1).

# AT5543 Adjustable Angle Footplates

## 60deg HD, 70deg NHD, PW93, AT5544 Swingaway Supports

NOTE: Heel loops are not included. See Footrest and Legrest Accessories.

NOTE: For complete pivot/slide tube and footplate assemblies, see Front Rigging Reference Charts.



Item Number	Note	Part Number	Description	Quantity Per	
				Package	Assembly
1	B	1060427	Footplate, Adjustable Angle - Large (5-1/4" W x 8" L)	1	1
1	C	1062569	Footplate, Adjustable Angle - X-Large (6-1/4" W x 8" L)	1	1
2		1029545	Screw, Socket Head Cap (1/4-20 x 3/4")	1	2
3		1058517	Clamp, Footplate	1	1
4		1082686	Nut, Hex Head (1/4-20 x 11/16")	1	2
5		7930333	Locknut (1/4-20)	25	1
6		1026907	Washer (1/4 x 1/2 x 1/16")	1	1
7		1048816	Screw, Nylon Adjustment (1/2-13 x 7/8")	1	1
8		1052102	Hinge, Footplate - Right	1	1
8		1052103	Hinge, Footplate - Left	1	1
9		7930321	Screw, Socket Button Head (1/4-20 x 1-7/8")	25	1
10		1026900	Washer (1/4 x 23/32 x 1/16")	1	1
11		1057855	Pivot/Slide Tube, Straight (9-7/8" Long - Steel)	1	1
11		1057856	Pivot/Slide Tube, Straight (11-7/8" Long - Steel)	1	1
12		7930313	Washer, Nylon (5/16 x 7/8 x 1/8")	25	1
13		1025457	Spacer, Coved (1/4 x 3/4 x 11/32")	1	1
14		See Chart	#14 Footplate Assemblies without Heel Loops	1	1

NOTE: B - For 14-15" wide chairs  
C - For 16" and wider chairs

# AT5543 Adjustable Angle Footplates

## 60deg HD, 70deg NHD, PW93, AT5544 Swingaway Supports

NOTE: Heel loops are not included. See Footrest and Legrest Accessories.

NOTE: For complete pivot/slide tube and footplate assemblies, see Front Rigging Reference Charts.

### #14 Footplate Assemblies without Heel Loops

Rigging Type	14-15" W 5-1/4" Large Footplate - Right	14-15" W 5-1/4" Large Footplate - Left	16" and Wider 6-1/4" X-Large Footplate - Right	16" and Wider 6-1/4" X-Large Footplate - Left
Swingaway Supports See Note(s) A	1060444	1060445	1062756	1062757
Swingaway Supports with 2" Longer Pivot/Slide Tube See Note(s) B	1062758	1062759	1062760	1062761
NOTE: A - 60Deg.HD, 70Deg.NHD, PW93, AT5544 Swingaway Supports B - 60Deg.HD, 70Deg.NHD, PW93, AT5544 Swingaway Supports with 2" Longer Pivot/Slide Tubes				

# Footrest and Legrest Accessories

## Footrest and Legrest Accessories

Footplate Type	Heel Loop Single #	Heel Loop Pair #	Heel Loop with Ankle Strap Single # Right	Heel Loop with Ankle Strap Single # Left	Heel Loop with Ankle Strap Pair #	Attaching Hardware Pair #
Composite (1651) Small 14" Wide or 15-17" Wide Tapered	1028412	1035912	1035908	1035909	1035906	1035931
Composite (1651) Medium 15-16" Wide or 18-19" Wide Tapered	1017621	1035917	1035919	1035920	1035918	1035931
Composite (1651) Large 17-20" Wide or 20" Wide Tapered	1017621	1035917	1035932	1035933	1035930	1035931
Standard Aluminum (1650) 14-15" Wide	1025234	1035905	1035908	1035909	1035906	1035907
Standard Aluminum (1650) 16-20" Wide	1017621	1035917	1035919	1035920	1035918	1035907
Deluxe Aluminum (1450) 16-20" Wide	1017621	1035917	1035919	1035920	1035918	1086112
X-Large Aluminum (1350) 16-20" Wide	1017621	1035917	1035919	1035920	1035918	1055241

### Heel Loops & Hardware

#### AT5543 Adjustable Angle

Part Number	Description	Consist of:
-------------	-------------	-------------

# Footrest and Legrest Accessories

## Heel Loops & Hardware

### AT5543 Adjustable Angle

Part Number	Description	Consist of:
1038245	Heel Loops w/ Hardware Adjustable Angle Footplate (Pair)	2 ea. Heel Loops 4 ea. Screw, Head Cap (#10-32 x 1-1/2") 4 ea. Spacer (1/4 x 5/16 x 1-3/32") 4 ea. Washer (3/16 x 7/16 x 1/16")
1038246	Heel Loops w/ Ankle Straps & Hardware Adjustable Angle Footplate (Pair)	2 ea. Heel Loops with Ankle Strap 4 ea. Screw, Head Cap (#10-32 x 1-1/2") 4 ea. Spacer (1/4 x 5/16 x 1-3/32") 4 ea. Washer (3/16 x 7/16 x 1/16")

# Footrest and Legrest Accessories

## Heel Loop Attaching Hardware

Part Number	Description	Consist of:
1035931	Kit, Heel Loop Attaching Hardware	2 ea. Screw, Phillips Head (1/4-20 x 2-1/4") 2 ea. Spacer (1/4 x 11/32 x 1-3/4") 2 ea. Locknut (1/4-20)
1035907	Kit, Heel Loop Attaching Hardware	2 ea. Screw, Phillips Head (1/4-20 x 2-1/2") 2 ea. Spacer (1/4 x 11/32 x 1-3/4") 2 ea. Locknut (1/4-20)
1055241	Hardware Attaching (Pair)	2 ea. Screw, Phillips Head (1/4-20 x 2-1/4") 2 ea. Spacer (1/4 x 11/32 x 1-3/4") 2 ea. Locknut (1/4-20)
1086112	Hardware Attaching (Pair)	2 ea. Screw, Phillips Head (1/4-20 x 2-1/2") 2 ea. Spacer (1/4 x 11/32 x 1-3/4") 2 ea. Locknut (1/4-20)

## Toe Loops 1345

Part Number	Description
04572X025	Toe Loop (Single)
1037087	Toe Loops without Hardware (Pair)

## Attaching Hardware - 1651, 1650, 1450 and 1350 Footplates

Part Number	Description	Consist of:
1037089	Hardware Toe Loop (Pair)	4 ea. Screw, Phillips Head (#10-32 x 7/8") 4 ea. Washer (1/4 x 3/4 x 3/32") 4 ea. Locknut (#10-32)

## Attaching Hardware - AT5543 Footplates

Part Number	Description	Consist of:
1104749	Hardware Toe Loops and Footplate (Pair)	4 ea. Washer (1/4 x 3/4 x 3/32") 4 ea. Screw, Phillips Pan Head (#10-32 x 1/2")

# Footrest and Legrest Accessories

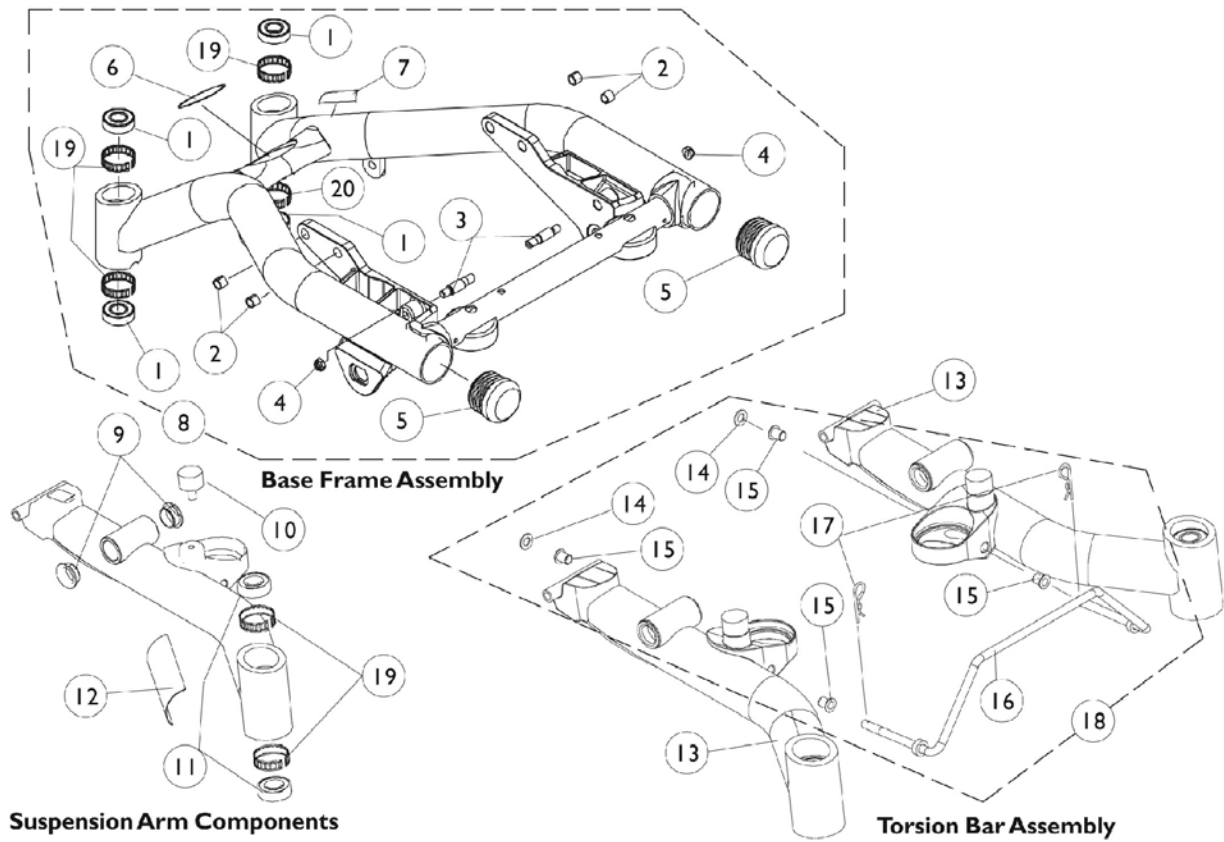
---



## Footrest and Legrest Accessories

Item Number	Note	Part Number	Description	Quantity Per	
				Package	Assembly
		1032243	Calf Strap w/ Hook and Loop (36" Long)	1	1
	D	1032214	H-Strap, 24" Long	--	--
	E	1032215	H-Strap, 26" Long	1	1
	F	1032216	H-Strap, 31" Long	1	1
	A	1026987	Impact Guard, 8" Long	1	2
	B	1026846	Impact Guard, 12" Long	1	2
	C	See Chart	Attaching Hardware - 1651, 1650, 1450 and 1350 Footplates	1	1
	C	See Chart	Attaching Hardware - AT5543 Footplates	1	1
	C	See Chart	Footrest and Legrest Accessories	1	1
	C	See Chart	Heel Loop Attaching Hardware	1	1
	C	See Chart	Heel Loops and Hardware	1	1
	C	See Chart	Toe Loops 1345	1	1
NOTE: A - For 70 deg. Tapered Footrest B - For Cage Style Footrest C - Not Shown D - 14" wide seats E - 15-16" wide seats F - 17" and wider seats					

# Base Frame, Suspension Arms, and Torsion Bar

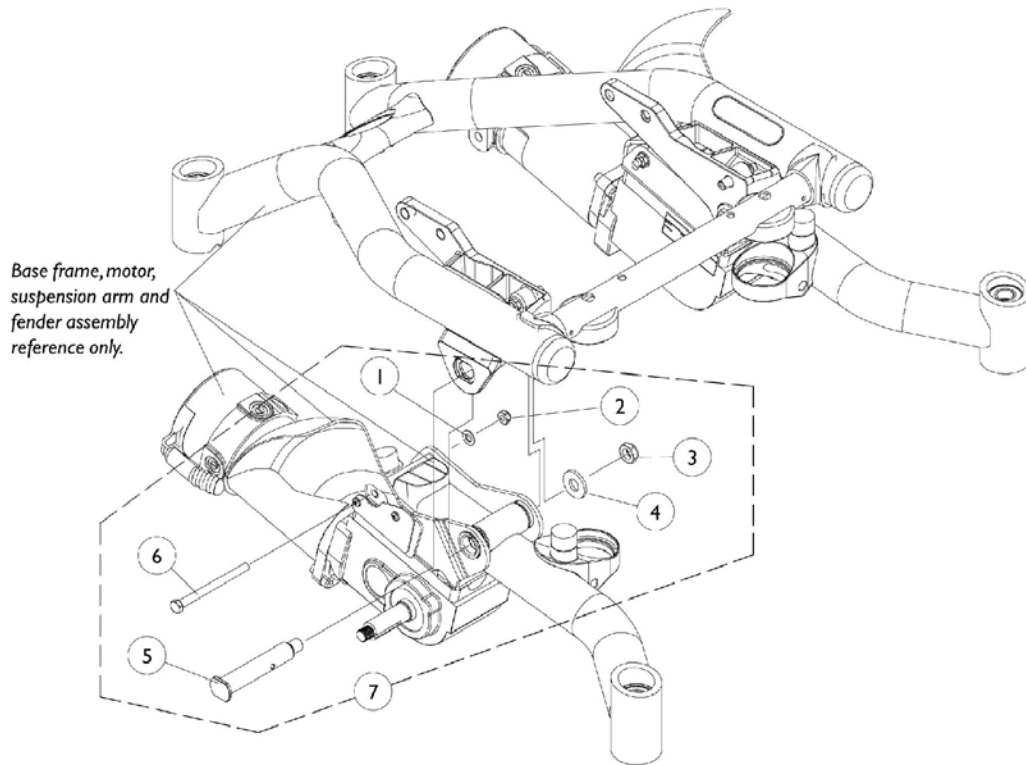


## Base Frame, Suspension Arms, and Torsion Bar

Item Number	Note	Part Number	Description	Quantity Per	
				Package	Assembly
1		40117X006	Bearing (5/8")	1	4
2		1082708	Bearing (3/8")	1	4
3		1108559	Pin, Shoulder (3/8 x 1-3/8")	1	2
4		1028769	Locknut (5/16-18)	1	2
5		1105770	Cap, Frame	1	2
6		1095489	Decal, Invacare 3-D Logo (2-1/2" L)	1	1
7		1119281	Name Plate, Patent Numbers	1	1
8	A,D	8881106098	Frame Assembly with Insert (Painted)	1	1
9		1105787	Bearing, Flanged (3/4")	1	2
10		1108437	Bumper, Rubber	1	2
11		40117X006	Bearing (5/8")	1	2
12		1108980	Decal, Xterra GT	1	1
13	B,D	8881107169	Arm Suspension - Right	1	1
13	B,D	8881107170	Arm Suspension - Left	1	1
14		1025704	Washer, Flat (5/16 x 5/8 x 1/16")	1	2
15		1093978	Flange (5/16" I.D.)	1	4
16		1107167	Bar, Torsion, Black	1	1
17		1108984	Clip, Pin Hitch (3/32 x 1-5/8")	1	2
18	C	1106159	Torsion Bar Assembly, Black	1	1
19		1110717	Ring, Tolerance	1	2

NOTE: A - Includes Base Frame and Items 1-7 and 19.  
 B - Includes Items 9-12 and 19.  
 C - Includes Items 14-17.  
 D - Specify frame color when ordering.

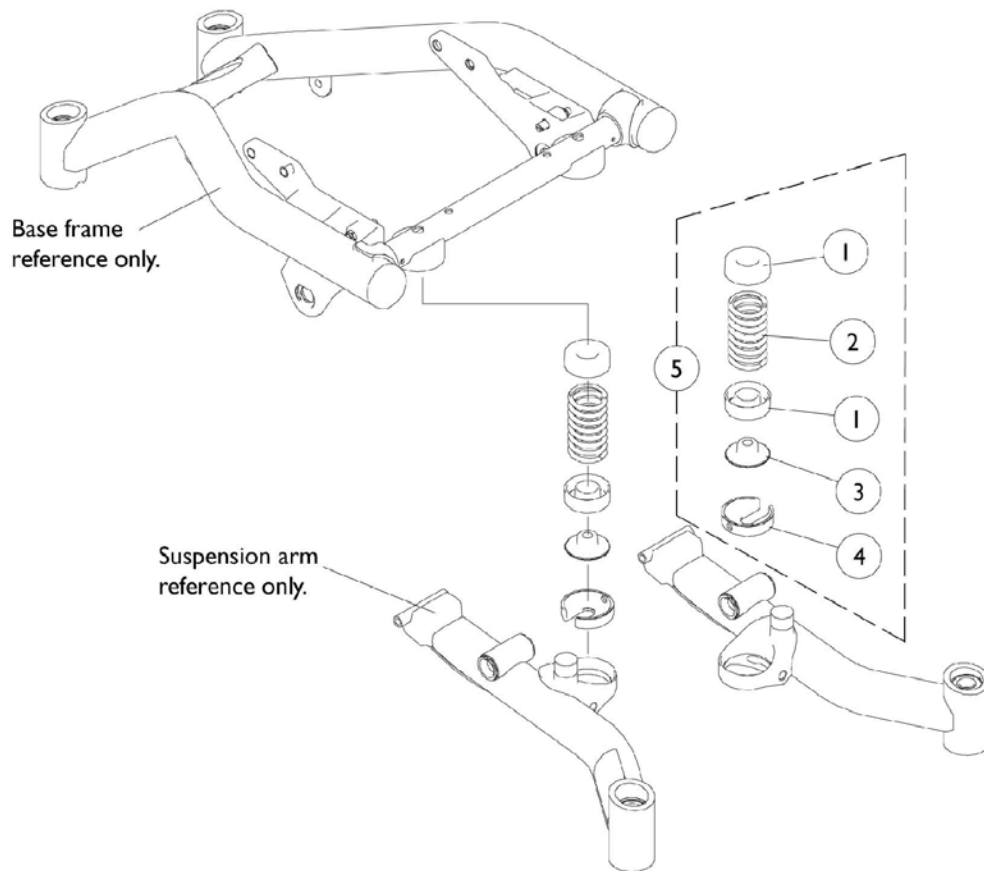
# Suspension Arm Mounting Hardware



Item Number	Note	Part Number	Description	Quantity Per	
				Package	Assembly
1		1025704	Washer, Flat (5/16 x 5/8 x 1/16")	1	2
2		1028769	Locknut (5/16-18)	1	2
3		1025737	Locknut (1/2-20)	1	2
4		1106182	Washer, Steel (1-3/16 x 1/2 x 1/8")	1	2
5		1105789	Pin, Pivot	1	2
6		1107703	Screw, Hex Head (5/16-18 x 3-3/4")	1	2
7	A	1106152	Hardware, Suspension Arm Mounting	2	1

NOTE: A - Includes Items 1-6.

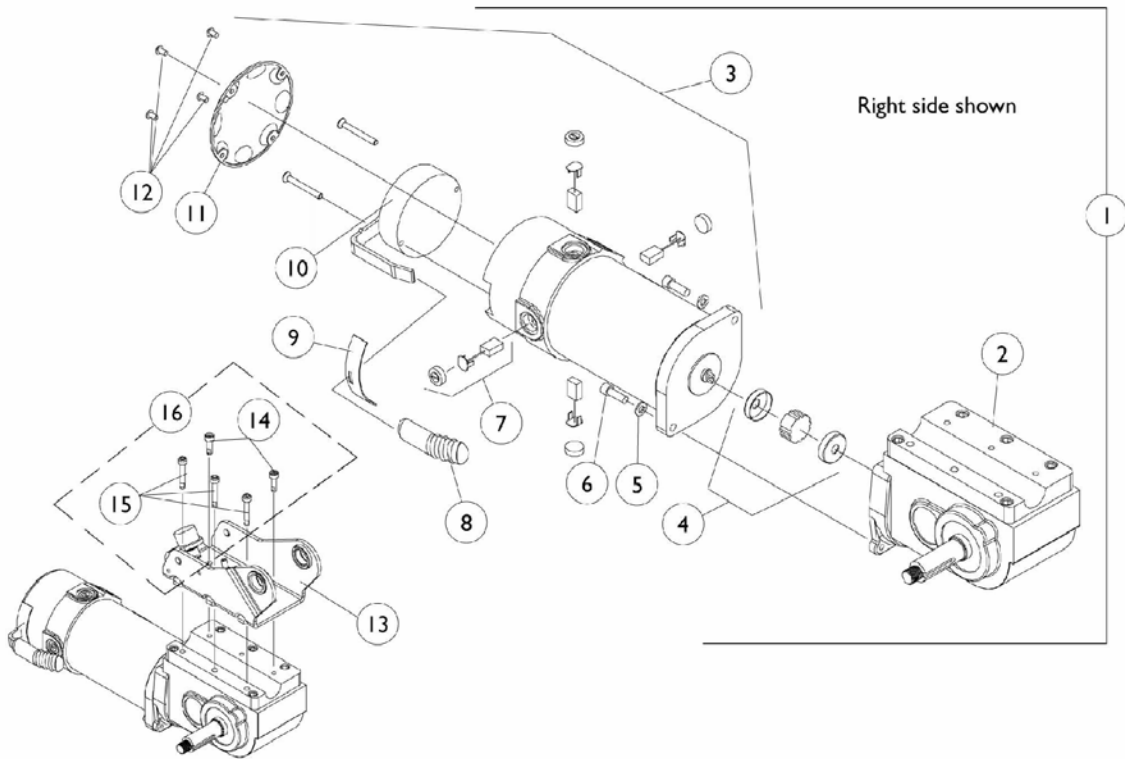
# Front Suspension Spring Mounting Hardware



Item Number	Note	Part Number	Description	Quantity Per	
				Package	Assembly
1		1106187	Spacer, Spring	1	4
2		1107173	Spring, Compression	1	2
3		1107711	Retainer, Spring	1	2
4		1107710	Retainer, Lower Spring	1	2
5	A	1106151	Hardware, Front Suspension Spring Mounting	2	1

NOTE: A - Includes items 1-4

# 4-Pole Motor and Gearbox Assembly



Item Number	Description	Right	Left
1.	Motor/Gearbox Assembly	1108451 See Note(s) A	1108450 See Note(s) A
2.	Gear Box	1106172 See Note(s) D	1106173 See Note(s) D
3.	Motor Assembly	1108448 See Note(s) B	1108449 See Note(s) B
4.	Coupling w/ Cup (1-5/16" Diameter)	50000X007	50000X007
5.	Lockwasher (1/4")	10502X001	10502X001
6.	Screw, SHC (M6 x 1 x 20MM)	1108978 See Note(s) D	1108978 See Note(s) D
6.	Screw, SHC (1/4-20 x 1-1/8")	1043594 See Note(s) D	1043594 See Note(s) D
7.	Brushes with Caps (Set of 4)	1070296	1070296
8.	Cap, Brake	1101725	1101725
9.	Slotted Plate	1082985	1082985
10.	Brake Repair Kit	1070295	1070294
11.	Brake Cover with Screws	1108452	1108452

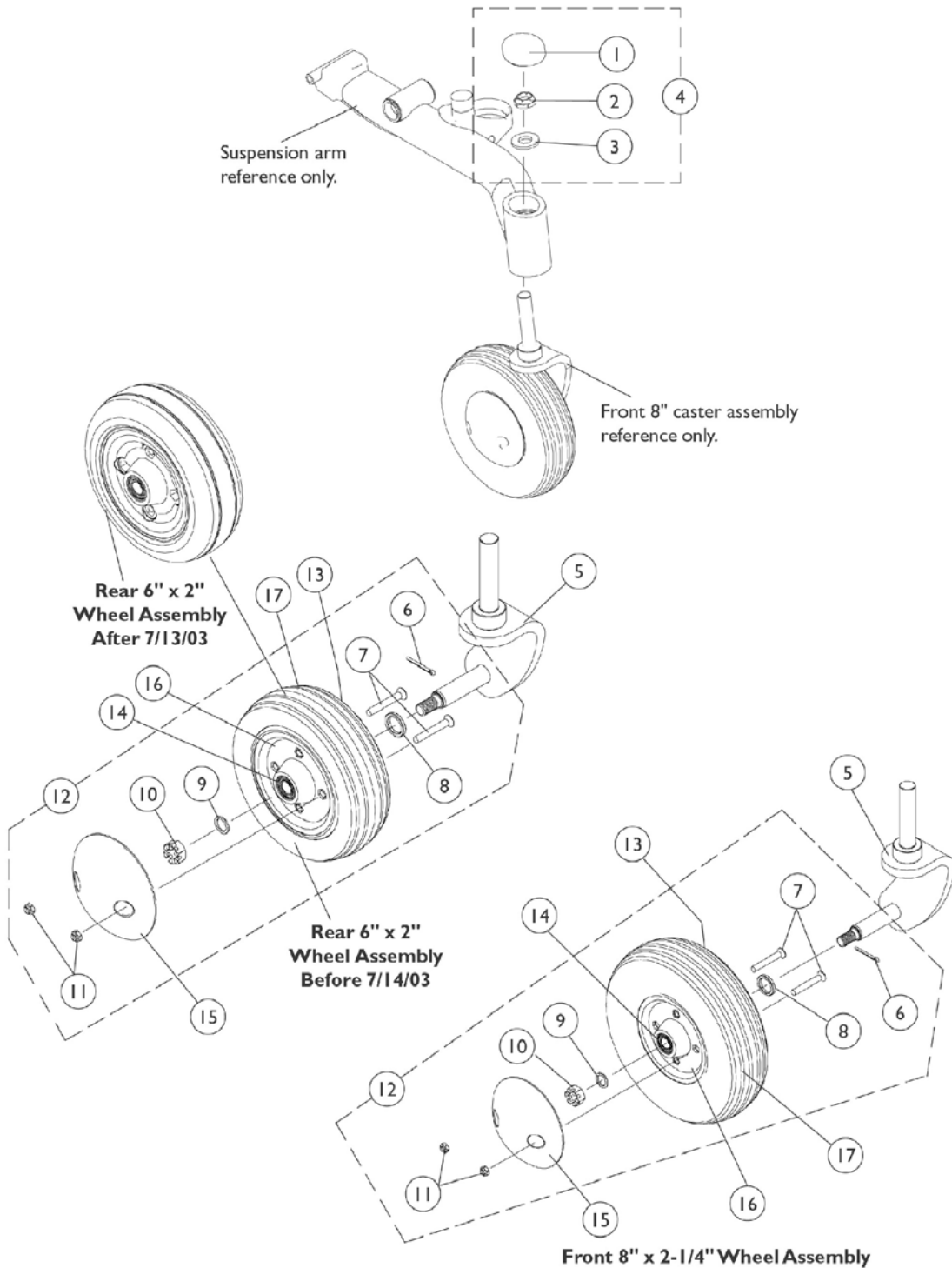
## 4-Pole Motor and Gearbox Assembly

Item Number	Description	Right	Left
12.	Screw, Phillips Pan Head (M4 x .7 x 8MM)	1108447	1108447
13.	Motor Mount	1105834	1105835
14. See Note(s) E	Screw, Socket Head Cap with Patch (M6 x 20MM)	1071505	1071505 See Note(s) E
15.	Screw, Socket Head Cap with Patch (M6 x 35MM)	1071504	1071504
16.	Kit, Motor Mounting Hardware	1108562 See Note(s) C	1108562 See Note(s) C

NOTE: A - Includes items 2-12.  
 B - Includes items 7-12.  
 C - Includes items 14 and 15.  
 D - When a new gearbox or mounting screws are ordered, (2 ea.) metric and (2 ea.) non-metric screws (item 9) must be ordered. Invacare Corp. utilizes alternate suppliers for this part number.  
 E - The Kit comes with a quantity of 3 Screws, the drawing only shows a quantity of 2.

# Front 8" and Rear 6" Caster Assembly

NOTE: Front and rear caster assemblies use the same caster fork mounting hardware.





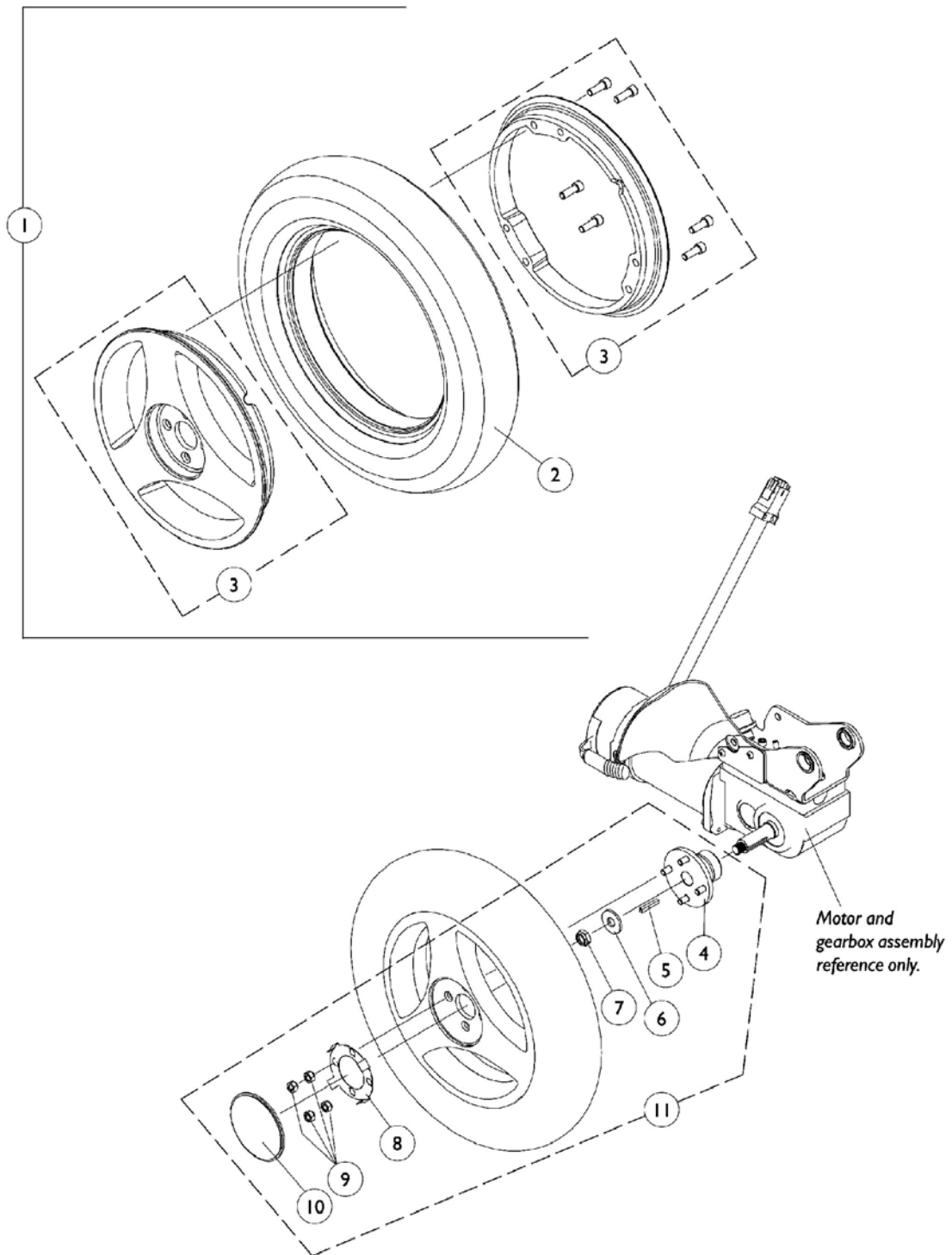
## Front 8" and Rear 6" Caster Assembly

**NOTE: Front and rear caster assemblies use the same caster fork mounting hardware.**

Item Number	Note	Part Number	Description	Quantity Per	
				Package	Assembly
1		1101737	Cap	1	1
2		1028550	Locknut (5/8-18)	1	1
3		1041444	Washer (5/8 x 1-5/16 x 1/8")	1	1
4	A	1106166	Hardware, Caster Fork Mounting	1	1
5		1105838	Fork, Front Caster - Right	1	1
5		1105839	Fork, Front Caster - Left	1	1
5		1105840	Fork, Rear Caster - Right	1	1
5		1105841	Fork, Rear Caster - Left	1	1
6		1105852	Pin, Cotter	1	1
7		1115246	Screw, Phillips Flat Head Countersunk (M6 x 1 x 45mm)	1	2
8		1108005	Spacer, Steel (5/8 x 7/8 x 1/8")	1	1
9		1025724	Washer (15/32 x 5/8 x 3/64")	1	1
10		1107168	Nut, Hex Slotted (7/16-20)	1	1
11		1107698	Locknut (M6 x 1)	1	2
12	B	1108561	Hardware, Caster	1	1
13		40117X006	Bearing (5/8")	1	1
14		1006049	Bearing (7/16")	1	1
15		1105854	Hub Cap	1	1
16	C,F	1108003-NLA	Rim (Outer/Inner) with Hardware	1	1
17		1108009	Wheel with Bearings Semi-Pneumatic 8" x 2-1/4" Front	1	1
17	D	1108011-NLA	Wheel with Bearings Semi-Pneumatic 6" x 2" Rear	1	1
17	E	1110715	Wheel with Bearings, 6" x 2" Urethane Deep Profile	1	1
17	E	1122067	Wheel with Bearings, 6" x 2" Urethane Deep Profile (Pair)	2	1

**NOTE:** A - Includes Items 1-3.  
 B - Includes items 6-11.  
 C - Includes items 7 and 11.  
 D - For chairs made before 7/14/03, order (pair) part number 1122067 dated after 7/13/03 so each side matches. The deep profile caster design has two tread grooves with rounded corners instead of four tread grooves with square corners.  
 E - For chairs made after 7/13/03. The pair part number is also used for converting casters on chairs made before 7/14/03.  
 F - Rim is no longer available, see item 17.

# 16" Drive Wheel and Mounting Hardware

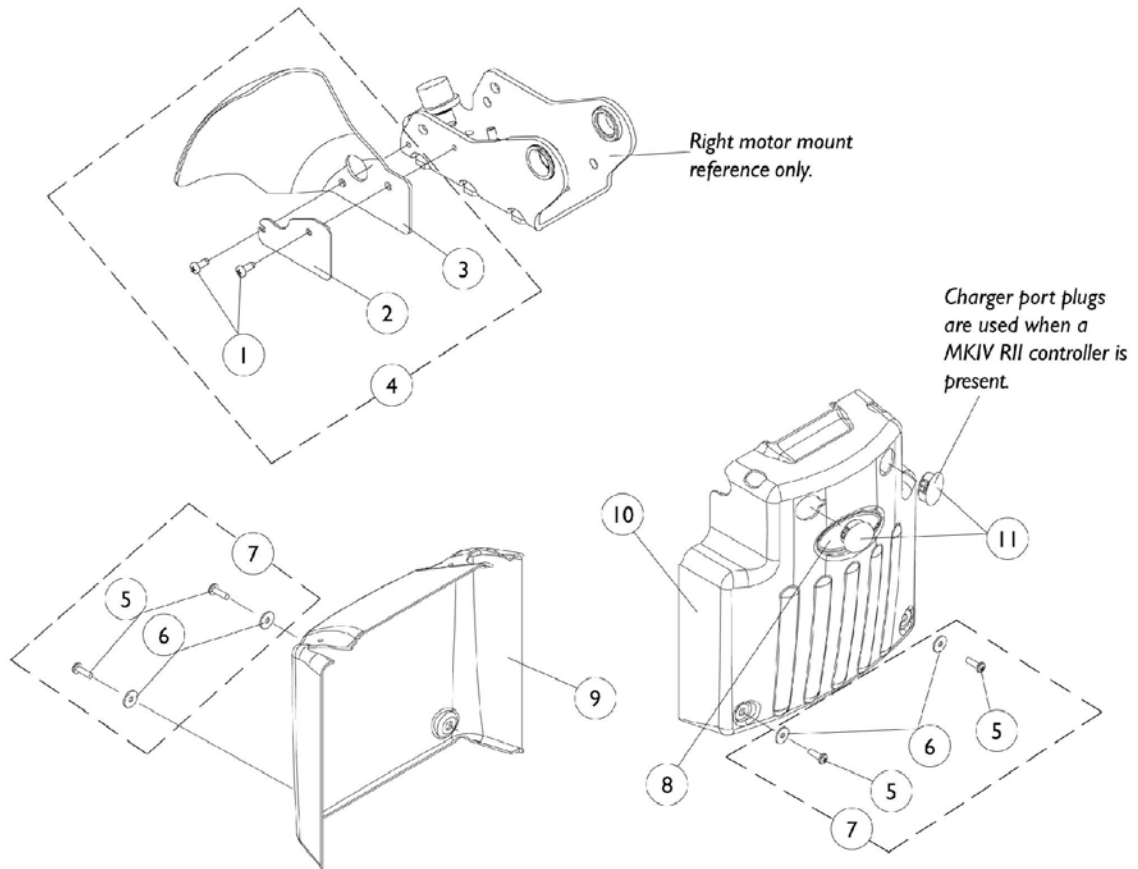


## 16" Drive Wheel and Mounting Hardware

Item Number	Note	Part Number	Description	Quantity Per	
				Package	Assembly
1	C	1106093	Wheel (16" x 3") with Foam Fill Insert	1	1
1	C	1106169	Wheel (16" x 3") Pneumatic	1	1
2		1106092	Tire with Foam Fill Insert (16" x 3")	1	1
2		1106164	Tire (16" x 3")	1	1
2		1106167	Tube, Pneumatic	1	1
3		1108967	Rim, 10" x 3" with Screws (For 16" x 3" Wheel)	1	1
3	A	1101094	Screw, Socket Head Cap w/ Patch (5/16-18 x 7/8")	1	6
4		1106174	Hub, Wheel	1	1
5		1000180	Key (3/16 x 1-1/4")	1	1
6		1036933	Washer (1/2 x 1-9/32 x 1/8")	1	1
7		1025737	Locknut (1/2-20)	1	1
8		1107159	Spring, Hub Cap	1	1
9		1024444	Locknut (5/16-24)	1	1
10		1108965	Cap, Hub 16" Wheel	1	1
11	B	1107713	Hardware, Wheel Mounting 16"	1	1

NOTE: A - Part may be ordered individually or is included in Part # 1108967.  
 B - Includes Items 4-10.  
 C - Includes items 2 and 3.

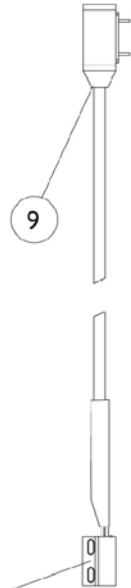
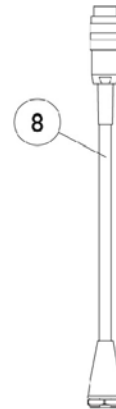
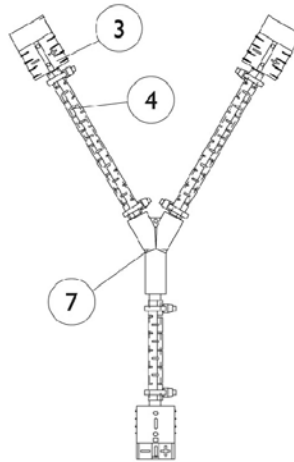
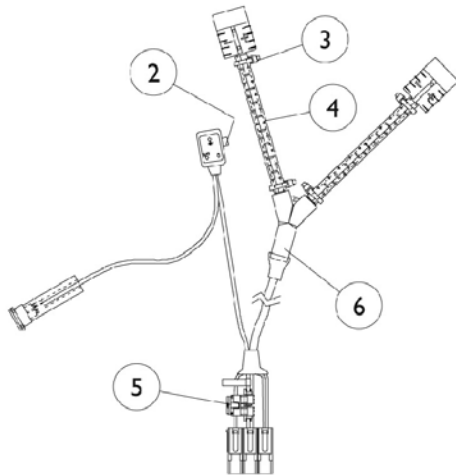
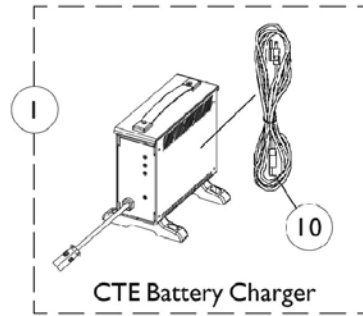
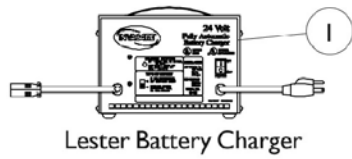
# Fenders and Shrouds



## Fenders and Shrouds

Item Number	Note	Part Number	Description	Quantity Per	
				Package	Assembly
1		1028484	Screw, Phillips Pan Head Tap (#10-32 x 1/2")	1	2
2		1107712	Plate, Fender	1	1
3		1106156-NLA	Fender - Right	1	1
3		1106157-NLA	Fender - Left	1	1
4	A	1108563	Fender Assembly	2	1
5		1028484	Screw, Phillips Pan Head Tap (#10-32 x 1/2")	1	2
6		1070587	Washer, Flat (3/16 x 5/8 x 1/16")	1	2
7	B	1108694	Hardware, Shroud Mounting	1	1
8		1090147	Decal, Invacare Medallion - Large	1	1
9		1106125-NLA	Shroud, Rear	1	1
10	C	1108454	Shroud with Decal Front with Charger Port Plugs	1	1
10	D	1106144-NLA	Shroud with Decal Front without Charger Port Plugs	1	1
11		1104803	Plug Button, Black (1")	1	2
NOTE: A - Includes Items 1-3. B - Includes Items 5 and 6. C - MKIV RII Controller D - MKIV Quad Pulse Controller					

# Battery Charger and Harness

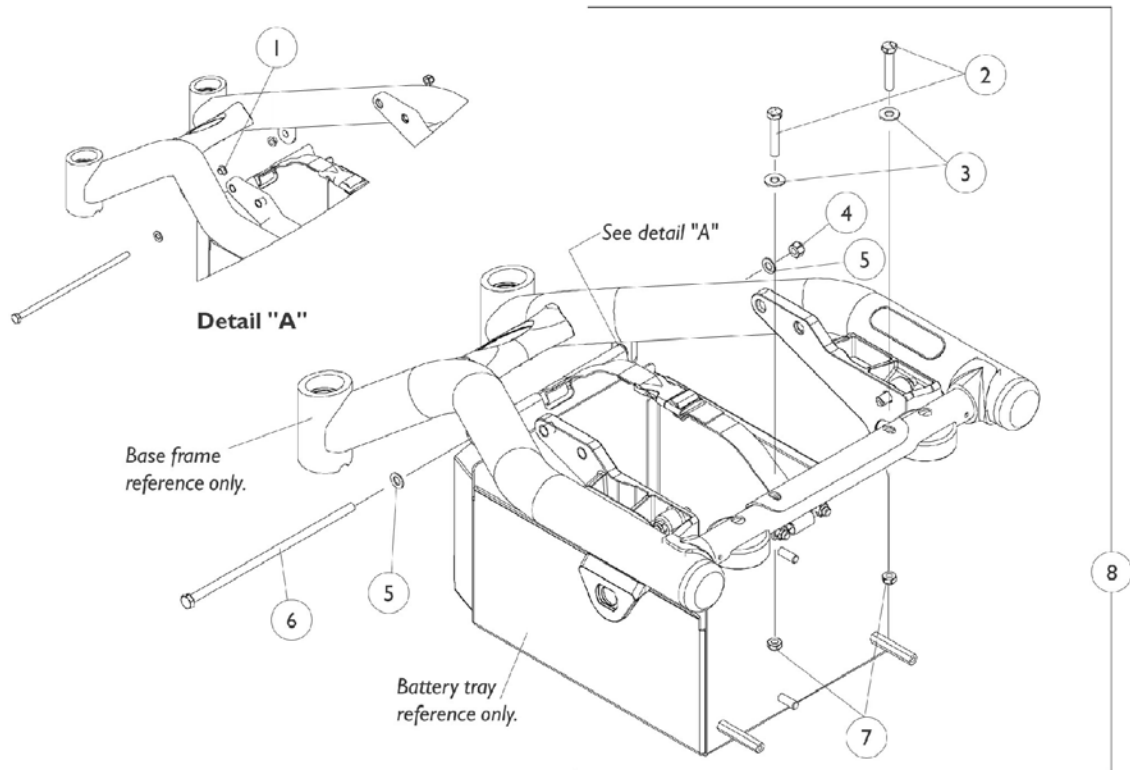


## Battery Charger and Harness

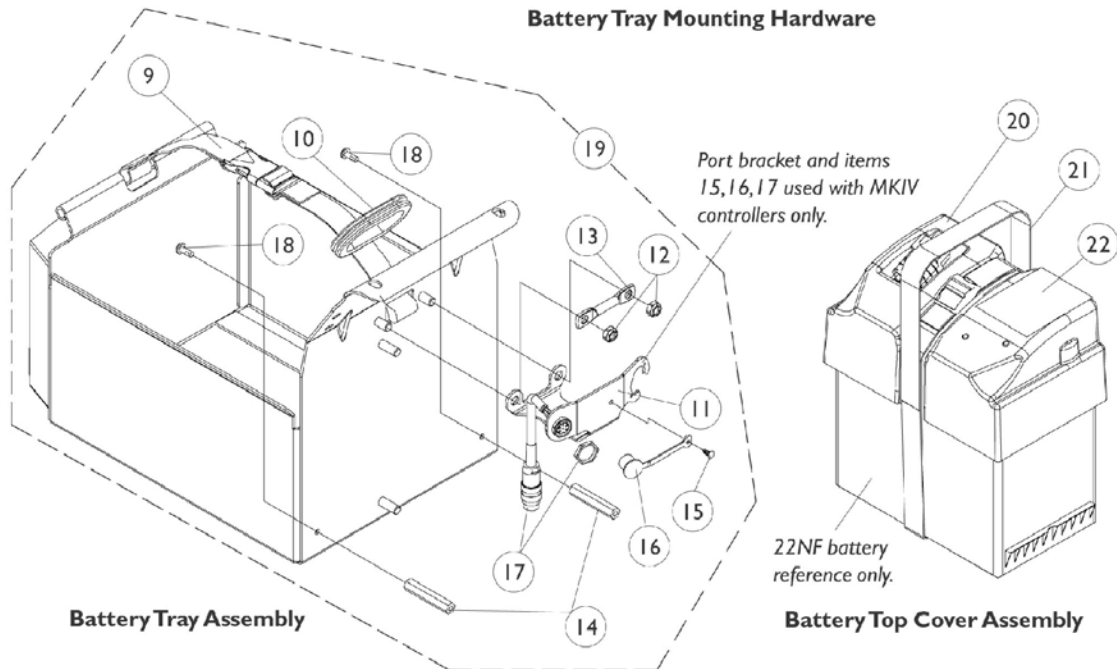
Item Number	Note	Part Number	Description	Quantity Per	
				Package	Assembly
1		1053161	Battery Charger, 8 Amp. 115vac (Off Board) Dual Mode Round Plug, Lester	1	1
1	F	1123249	Battery Charger, 8 Amp. 115vac (Off Board) Single Mode Round Plug w/ AC Power Line Cord, CTE Corp.	1	1
2		1090117	Fuse, 15 Amp. (Buss Mini ATM-15)	1	1
3		1108970	Cable Ties (3-7/8" Long)	10	6
4		1090357	Wrap, Slit Wire Harness (1/2" O.D.) (36" Long Cut To Length)	1	1
5	D	1101099	Fuse, 20 Amp. (Buss ATC-20)	1	1
5	E	1119230	Fuse, 20 Amp. (Buss Mini ATM-20)	1	1
6	A	1106158-NLA	Wiring Harness	1	1
7	B	1108985	Wiring Harness	1	1
8		1108695-NLA	Cable, Programmer Extension (9" Long)	1	1
9	C	1092913	Cable, Drive Lockout Sensor	1	1
10		1089627	Cord, AC Power Line 115vac (2-prong off-board 11'6"L)	1	1

NOTE: A - For MKIV Quad Pulse Controller.  
 B - For MKIV RII 80 AMP Controller.  
 C - Sensor cable is used with a full recline captain seat.  
 D - Before 4/1/03  
 E - After 3/31/03  
 F - CTE charger introduced and standard on-chair 4/1/04. Used on Gel Cell or AGM (Absorbed Glass Mat) batteries. Serial number starts with 04A0000001. For wet cell batteries refer to the Lester charger.

# Battery Top Cover and Tray Assembly



**Battery Tray Mounting Hardware**





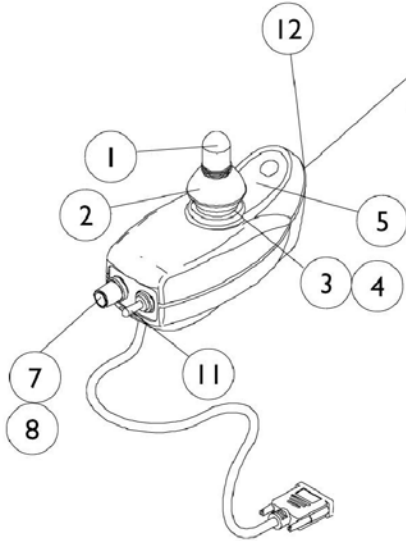
## Battery Top Cover and Tray Assembly

Item Number	Note	Part Number	Description	Quantity Per	
				Package	Assembly
1		1079635	Bushing, Flange	1	2
2		1044939	Screw, Hex Head (5/16-18 x 1-3/4")	1	2
3		1074133	Washer (5/16 x 3/4 x 1/16")	1	2
4		1026906	Locknut (5/16-24)	1	1
5		1025704	Washer, Flat (5/16 x 5/8 x 1/16")	1	2
6		1106121	Screw, Hex Head (5/16-24 x 8-1/2")	1	1
7		1028769	Locknut (5/16-18)	1	2
8	A	1108693	Hardware, Battery Tray Mounting	1	1
9		1106143	Strap with Buckle Assembly, Battery Tray	1	1
10		1106130	Rubber Grommet	1	1
11	B	1106142	Port Bracket	1	1
12		1028769	Locknut (5/16-18)	1	2
13		1106097	Spade Rod	1	1
14		1106148	Lug, Hex Front	1	2
15		1040226	Rivet, Nylon	1	1
16		1037373	Cover, Splash	1	1
17		1108695-NLA	Cable, Programmer Extension (9" Long)	1	1
18		1134086	Screw, Socket Button Head w/ Patch (#10-32 x 1/2")	1	2
19	B,C	1106139	Battery Tray Assembly	1	1
19	D,F	1108566	Battery Tray Assembly	1	1
20		1106129-NLA	Top Cover Assembly, Battery	1	1
21		1106146-NLA	Strap with Clip Assembly, Battery Top Cover	1	1
22		1114843-NLA	Decal, Warning	1	1
	E	1089385	Fuse, 80 Amp, MIDI (Non-G/B & G/B)	1	1
	E	1108974	Hardware, Terminal, 22NF Batteries Hardware includes: battery clamps, battery clamp caps (red and black), small terminal covers (red and black), 1/4-20 x 7/8" hex flange screws, 1/4-20 hex flange locknuts, cable ties, and instruction sheet for two batteries.	1	1

NOTE: A - Includes Items 1-7.  
 B - For MKIV Quad Pulse Controllers Only.  
 C - Includes Items 9-18.  
 D - Includes Items 9, 10, 12-14, and 18.  
 E - Not Shown  
 F - For MKIV RII Controllers Only.

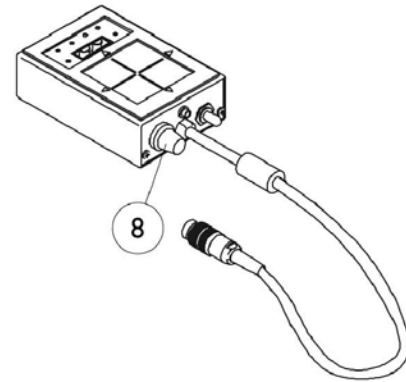
# MKIV Joysticks

## RII, TCHJOY, A, A+

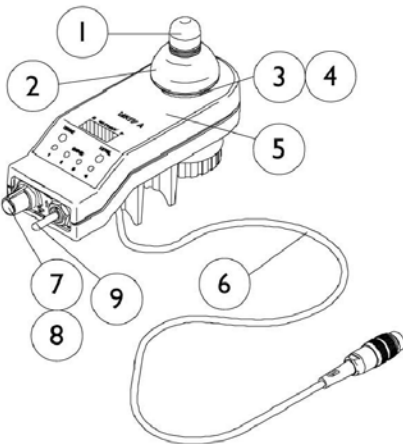


**NOTE:** RII 80 AMP. decal is not included with joystick.

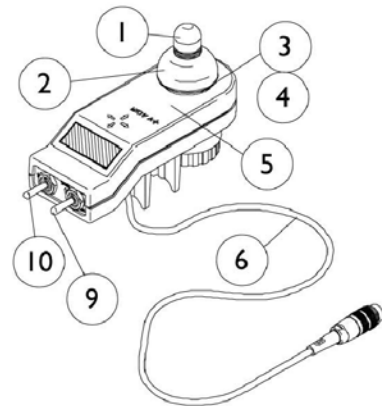
**1092610**  
**RII Joystick**



**1095289**  
**TCHJOY**  
**Touchpad "A"**  
**Joystick**



**1065944**  
**A Joystick**



**1038608**  
**A+ Joystick**

## MKIV Joysticks RII, TCHJOY, A, A+

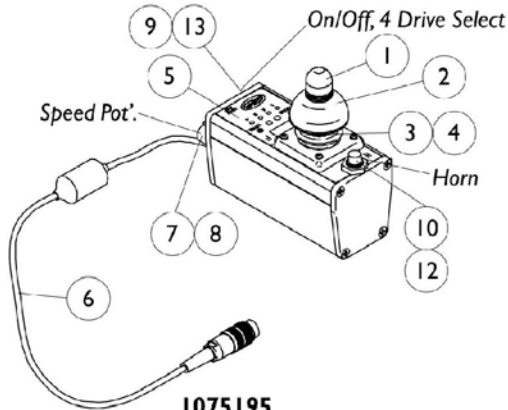
Item Number	Description	RII	TCHJOY	A	A+
See Pictorial	Joystick Assembly	1092610 See Note(s) D	1095289	1065944	1038608
1	Knob, Joystick	1040217	N/A	1040217	1040217
2	Skirt, Joystick	1040218	N/A	1040218	1040218
3	Inductive, Joystick	1036764 See Note(s) A	N/A	1036764 See Note(s) B	1036764 See Note(s) A
3	Inductive, Joystick	N/A	N/A	1104397 See Note(s) C	N/A
4	Boot, Joystick	50000X364	N/A	50000X364	50000X364
5	Overlay, Joystick Decal	N/A	N/A	1040190	1036776
6	Cable Assembly	N/A	N/A	1036750 See Note(s) B	1036750 See Note(s) A
6	Cable Assembly	N/A	N/A	1104205 See Note(s) C	N/A
7	Potentiometer, Speed	1040225 See Note(s) A	N/A	1040225 See Note(s) B	N/A
7	Potentiometer, Speed	N/A	N/A	1115518 See Note(s) C	N/A
8	Knob, Potentiometer	1025516	1025516	1025516	N/A
9	Switch, On/Off Momentary	N/A	N/A	1040185 See Note(s) B	1040185 See Note(s) A
9	Switch, On/Off Momentary	N/A	N/A	1115523 See Note(s) C	N/A
10	Switch, Program	N/A	N/A	N/A	1040186 See Note(s) A
11	Switch, Toggle SPDT	1010042 See Note(s) A	N/A	N/A	N/A
12	Decal, RII 80 AMP	1108692-NLA	N/A	N/A	N/A

NOTE: A - Item requires soldering  
 B - Before 10/01/02 item requires soldering  
 C - After 9/30/02 item has a non-soldering connector  
 D - RII 80 amp. decal is not included with joystick. Used on Torque SP's after 10/31/01.

# MKIV Joysticks

## PSF and PSR

**NOTE:** PSR STANDARD joystick configuration below show the on/off switch on the left side for part # 1075196. When the on/off switch is required on the right side, refer to part number 8881075196 and order as a configured part.



**1075195**  
PSF Joystick

**STANDARD:** This PSR joystick includes a toggle on/off combined with a drive select and a push button horn. No speed selector.

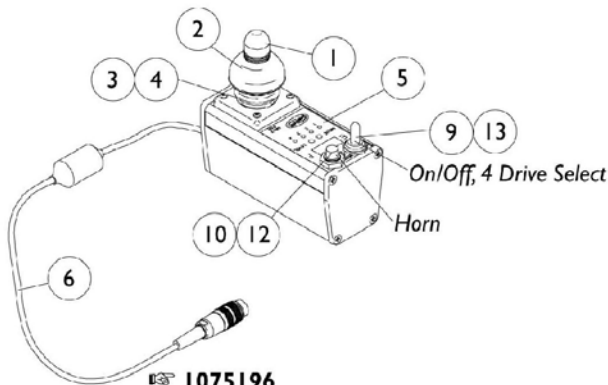
**PBOD:** This PSR joystick includes push button on/off with a push button drive select. This gives you access to the four drives, but no horn and no speed select.

**RHSS:** This PSR joystick replaces the horn with a speed selector. This allows you to deviate from having a horn to having a speed select dial, plus the drive selector to the four drives.

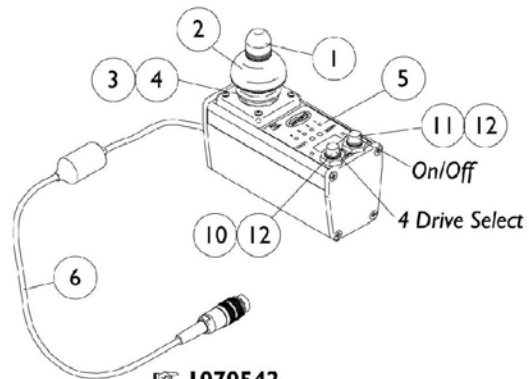
**TOHSS:** This PSR joystick includes a toggle on/off with horn and a speed select dial. You have access to only one drive.

**OL:** On/Off positioned on left side of the PSR joystick.

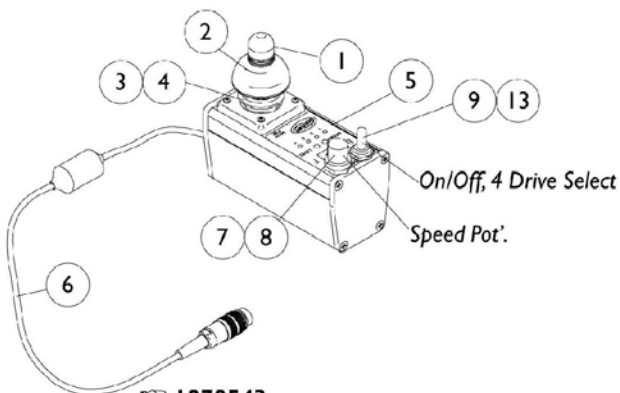
**OR:** On/Off positioned on right side of the PSR joystick.



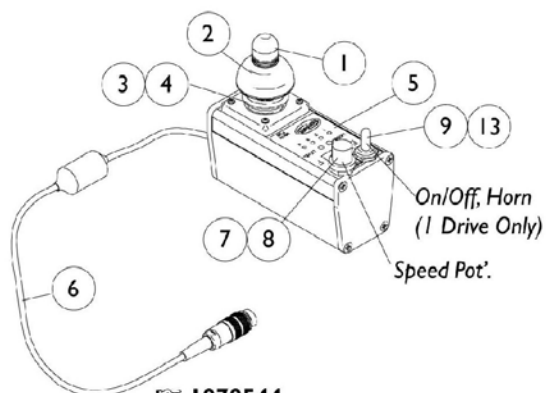
**1075196**  
PSR Joystick  
ON CHAIR: STANDARD



**1070542**  
PSR Joystick without Horn  
ON CHAIR: PBOD/OL



**1070543**  
PSR Joystick without Horn  
ON CHAIR: RHSS/OL



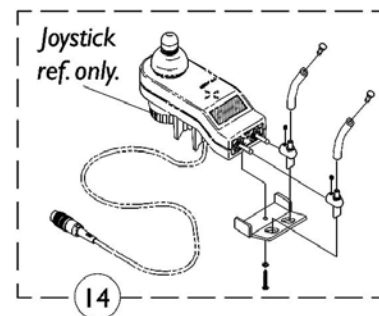
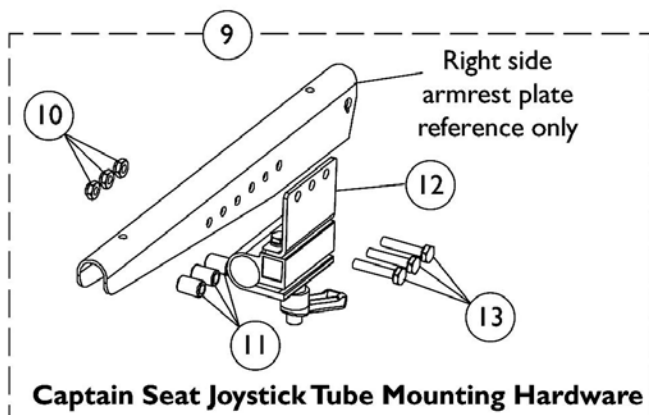
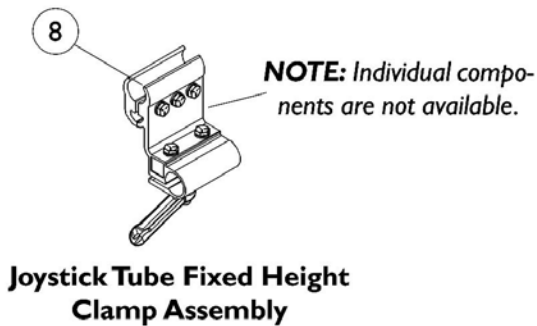
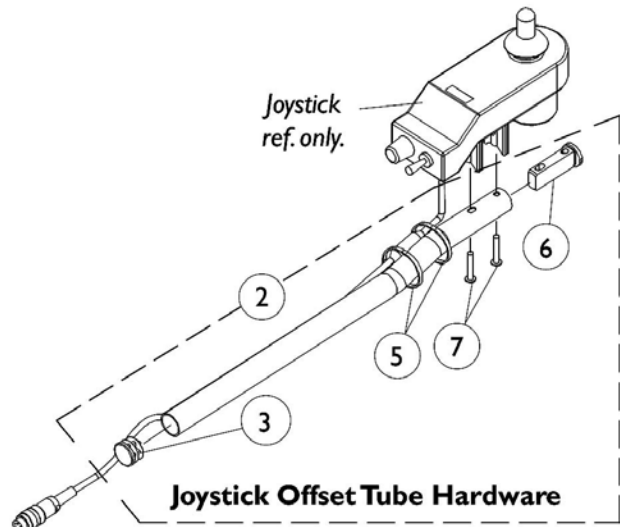
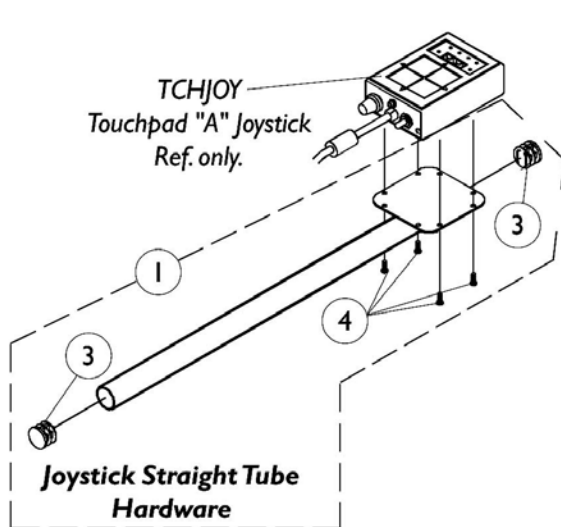
**1070544**  
PSR Joystick  
ON CHAIR: TOHSS/OL

## MKIV Joysticks PSF and PSR

**NOTE: PSR STANDARD joystick configuration below show the on/off switch on the left side for part # 1075196. When the on/off switch is required on the right side, refer to part number 8881075196 and order as a configured part.**

Item Number	Description	PSF	PSR
See Pictorial	Joystick Assembly	N/A	1075196
See Pictorial	Joystick Assembly	8881075195	8881075196
See Pictorial	Joystick Assembly	N/A	1070542
See Pictorial	Joystick Assembly	N/A	1070543
See Pictorial	Joystick Assembly	N/A	1070544
1	Knob, Joystick	1040217	1040217
2	Skirt, Joystick	1040218	1040218
3	Inductive, Joystick	1036764	1036764
4	Boot, Joystick	50000X364	50000X364
5	Overlay, Joystick Decal	1075034	1079925
6	Cable Assembly	1036750	1036750
7	Potentiometer, Speed	1040225	1040225
8	Knob, Potentiometer	1025516	1025516
9	Switch, On/Off Momentary	1040185	1040185
10	Switch, Push Button SPST Momentary	1010047	1010047
11	Switch, Push Button SPST	N/A	1010048
12	Boot, Switch	1010049	1010049
13	Boot, Switch	1058464	1058464

# MKIV Joystick Mounting Hardware and Joystick Accessories

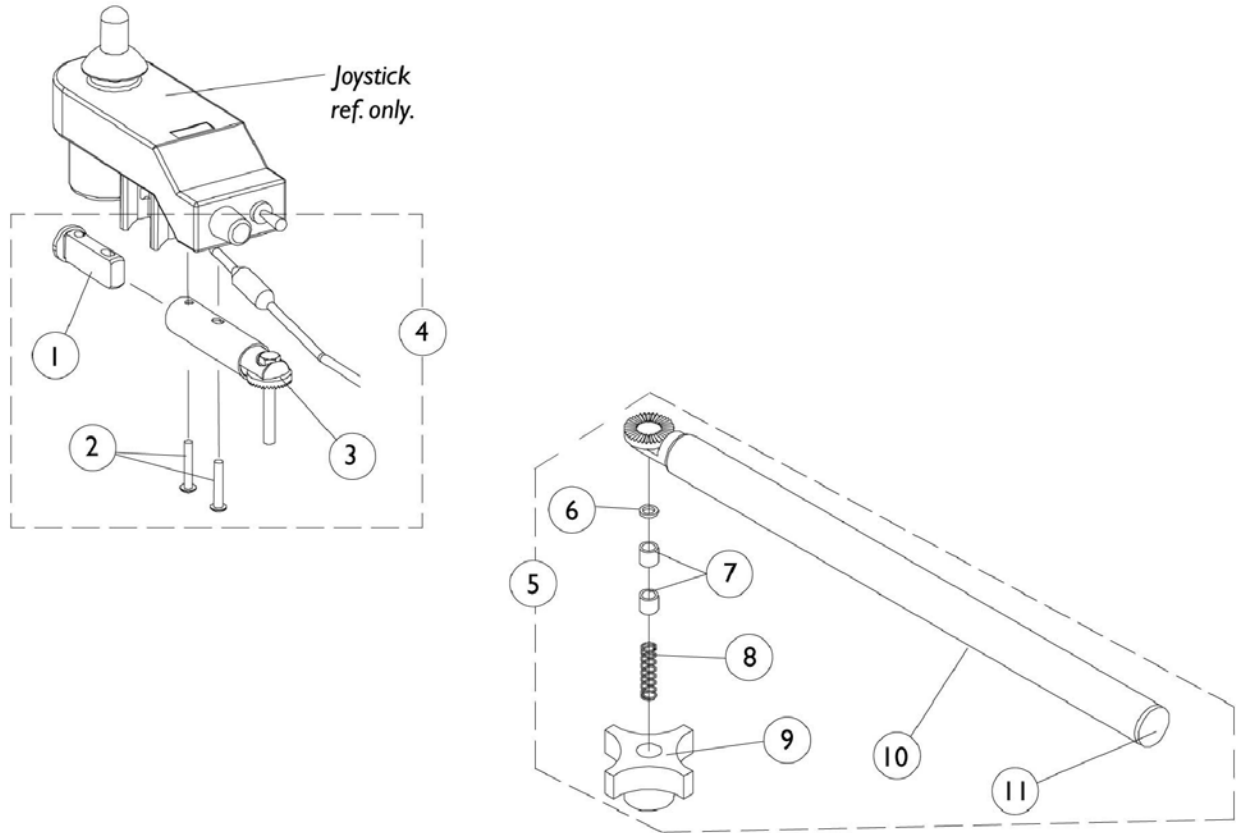


## MKIV Joystick Mounting Hardware and Joystick Accessories

Item Number	Note	Part Number	Description	Quantity Per	
				Package	Assembly
1	A	1092604	Kit, Straight Joystick Tube with Hardware	1	1
2	B	1093069	Kit, 1/2" Offset Joystick Tube with Hardware	1	1
3	C	1027095	Plug Button, Black (7/8")	1	1
4		1052041	Screw, Phillips Pan Head (#4-40 x 3/8")	1	4
5		1095502	Package, Cable Ties (11-1/2" Long)	10	1
6		1093063	Spacer, Joystick Tube	1	1
7		1025714	Screw, Phillips Pan Head (#10-32 x 1-1/8")	1	2
8		1093071	Clamp, Fixed Height Joystick Tube	1	1
9	E,F	1105050	Kit, Joystick Tube Mounting Hardware - Captain/ Van Seat	1	1
10		1025195	Locknut (1/4-20)	1	3
11		1101524	Spacer (1/4 x 7/16 x 5/8")	1	3
12		1105049	Clamp Assembly, Captain/Van Seat	1	1
13		1057955	Screw, Hex Head (1/4-20 x 1-1/4")	1	3
14		1055736	Toggle Switch Extension Kit	1	1
	D	1006270	Joystick Extension - "T" Style (1560) (4" Wide x 5-1/2" Long)	1	1
	D	1006271	Joystick Extension - Straight Style (1561) (1/2" Wide x 5" Long)	1	1
15	G	1139422	Clamp, Height Adjustable Joystick Tube (ARM250)	1	1

NOTE: A - For TCHJOY Touchpad "A" Joystick. Includes Items 3 and 4  
 B - For MKIV, RII, A, A+, PSF/PSR Joysticks. Captain Seats also. Includes Items 3 and 5-7  
 C - Touchpad "A" Joystick tube takes 2.  
 D - Not Shown  
 E - Includes items 10-13  
 F - Due to product improvement, the joystick mounting bracket with a separate adjustment lock were replaced with the clamp assembly shown as of 2/20/03 and is backward compatible.  
 G - Can be used to replace a Fixed Height Joystick Tube Clamp in the field

# MKIV Swivel Joystick Hardware



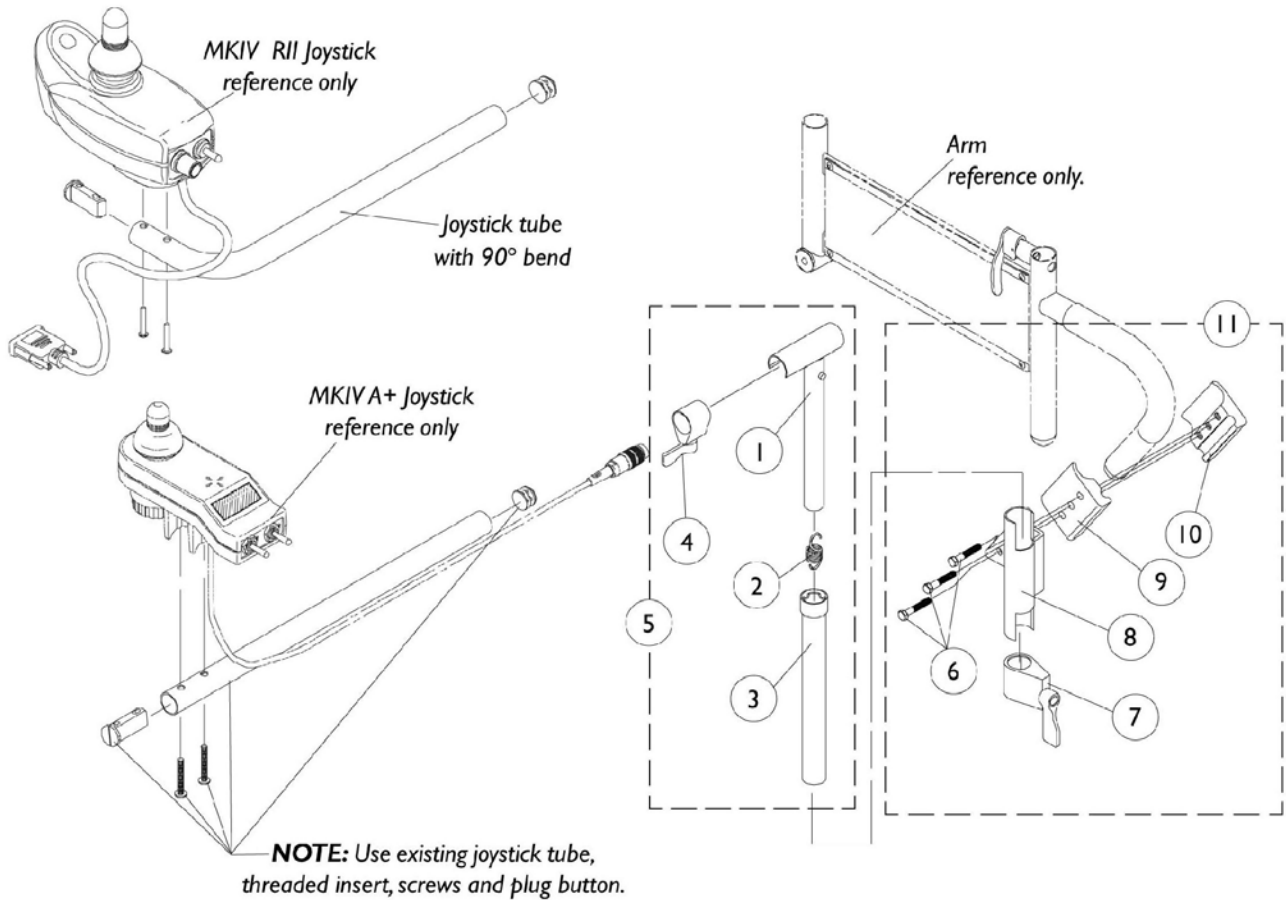
Item Number	Note	Part Number	Description	Quantity Per	
				Package	Assembly
1		1093063	Spacer, Joystick Tube	1	1
2		7930327	Screw, Phillips Pan Head (#10-32 x 1-1/8")	25	3
3		1049962	Swivel Joystick Bracket, MKIV	1	1
4	A	1049963	Swivel Joystick Bracket with Hardware	1	1
5	B	1035986	Swivel Joystick Tube with Hardware	1	1
6		1020551	Washer, Flat (1/4 x 3/8 x 1/16")	1	1
7		1005844	Bushing	1	2
8		1002511	Spring, Hitch Bracket	1	1
9		1023670	Knob, Clamping	1	1
10		1035990	Tube, Swivel Joystick	1	1
11		1027095	Plug Button, Black (7/8")	1	1

NOTE: A - Includes items 1-3.  
B - Includes items 6-11.



# MKIV Mid-Line Swing Bracket Assembly

**NOTE:** Joystick tube with a 90 degree bend replaces the standard tube when joysticks PSF, PSR, and RII part# 1092610 are used. Joystick tubes with a 90 degree bend must be ordered as a special when a replacement is needed.



## MKIV Mid-Line Swing Bracket Assembly

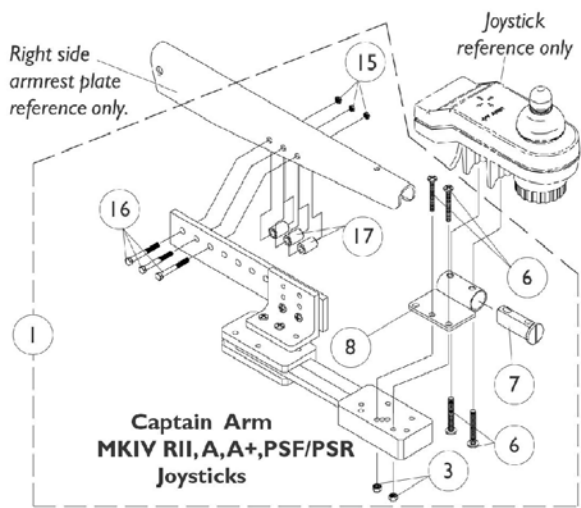
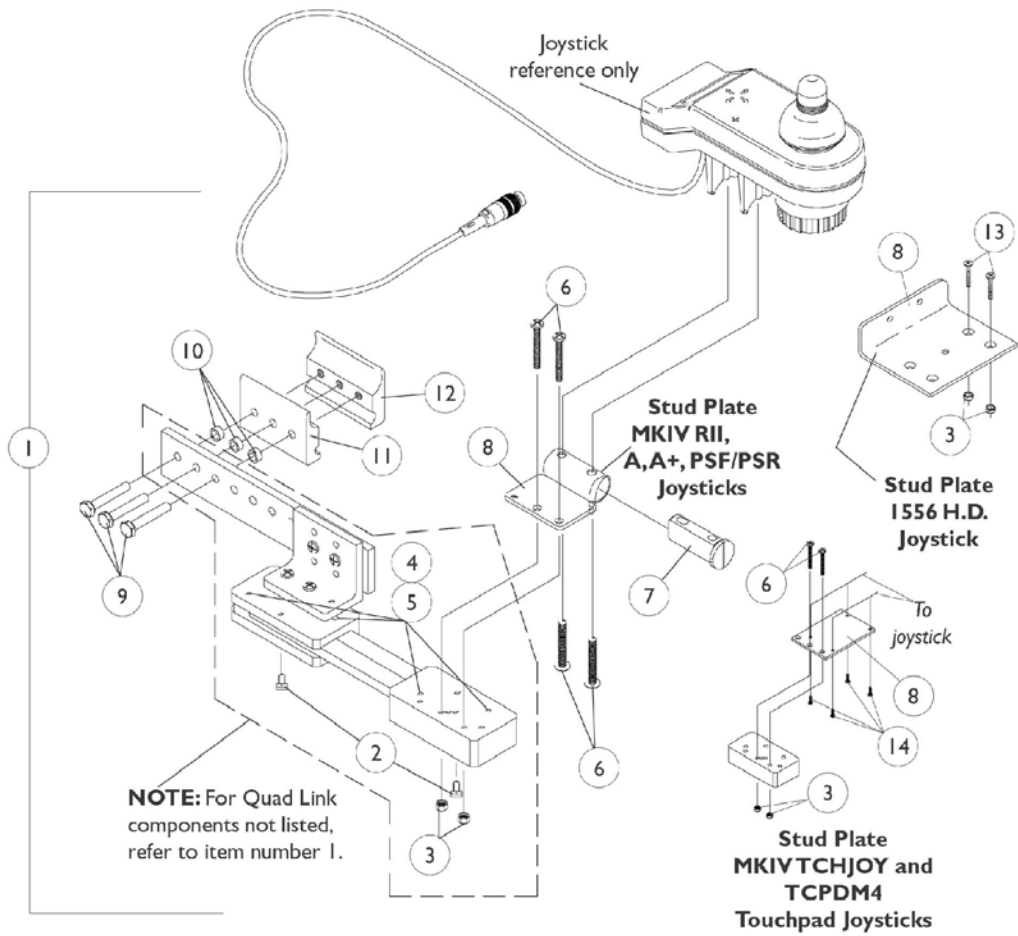
**NOTE: Joystick tube with a 90 degree bend replaces the standard tube when joysticks PSF, PSR, and RII part# 1092610 are used. Joystick tubes with a 90 degree bend must be ordered as a special when a replacement is needed.**

Item Number	Note	Part Number	Description	Quantity Per	
				Package	Assembly
1		1035528	Adjustment Tube, (Inside) Mid-Line	1	1
2		1016778	Spring, Extension	1	1
3		1035860	Adjustment Tube, (Outside) Mid-Line	1	1
4		1027274	Lock, Adjustment (Black)	1	1
5	A	1035852	Swing Bracket Assembly, Mid-Line	1	1
6		7930349	Screw, Hex Head (1/4-20 x 1-1/8")	25	3
7		1027274	Lock, Adjustment (Black)	1	1
8	B	1071879	Bracket, Joystick Mounting	1	1
9		1027266	Half Clamp, Non-Threaded Holes	1	1
10		1027267	Half Clamp, Threaded Holes	1	1
11	B,C	1071880	Hardware, Attaching Mid-Line	1	1

NOTE: A - Includes Items 1-4.  
 B - Left side joystick mounting bracket or hardware must be ordered as a special.  
 C - Includes Items 6-10.

# Quad Link Assembly

## Before 4/07/06



## Quad Link Assembly Before 4/07/06

Item Number	Note	Part Number	Description	Quantity Per	
				Package	Assembly
1	A	1052402	Kit, Quad Link Assembly - Right	1	1
2			Ball Plunger with Lock Washer Assembly	2	1
3			Locknut (#10-32)	1	2
4			Screw, Socket Head (#10-32 x 1/2")	1	4
5			Bushing, Bronze (3/16 x 1/4 x 1/4")	1	4
6			Screw, Phillips Pan Head (#10-32 x 1-1/8")	1	4
7			Spacer, Joystick Tube	1	1
8			Stud Plate, Quad Link	1	1
9			Screw, Hex Head (1/4-20 x 1-1/2")	1	3
10			Spacer (1/4 x 3/8 x 3/16")	1	3
11			Half Clamp, Non-Threaded Holes	1	1
12			Half Clamp, Threaded Holes	1	1
1	A	1115372	Kit, Quad Link Assembly - Left	1	1
2			Ball Plunger with Lock Washer Assembly	2	1
3			Locknut (#10-32)	1	2
4			Screw, Socket Head (#10-32 x 1/2")	1	4
5			Bushing, Bronze (3/16 x 1/4 x 1/4")	1	4
6			Screw, Phillips Pan Head (#10-32 x 1-1/8")	1	4
7			Spacer, Joystick Tube	1	1
8			Stud Plate, Quad Link	1	1
9			Screw, Hex Head (1/4-20 x 1-1/2")	1	3
10			Spacer (1/4 x 3/8 x 3/16")	1	3
11			Half Clamp, Non-Threaded Holes	1	1
12			Half Clamp, Threaded Holes	1	1
1	B,E	1034703-NLA	Kit, Quad Link Assembly - Right	1	1
2			Ball Plunger with Lock Washer Assembly	2	1
3			Locknut (#10-32)	1	2
4			Screw, Socket Head (#10-32 x 1/2")	1	4
5			Bushing, Bronze (3/16 x 1/4 x 1/4")	1	4
8			Stud Plate, Quad Link For 1556 Heavy Duty Joystick	1	1
9			Screw, Hex Head (1/4-20 x 1-1/2")	1	3
10			Spacer (1/4 x 3/8 x 3/16")	1	3
11			Half Clamp, Non-Threaded Holes	1	1
12			Half Clamp, Threaded Holes	1	1
13			Screw, Phillips Flat Head Countersunk (#10-32 x 1-1/8")	1	2
1	B	1114866	Kit, Quad Link Assembly - Left	1	1
2			Ball Plunger with Lock Washer Assembly	2	1
3			Locknut (#10-32)	1	2
4			Screw, Socket Head (#10-32 x 1/2")	1	4
5			Bushing, Bronze (3/16 x 1/4 x 1/4")	1	4

## Quad Link Assembly Before 4/07/06

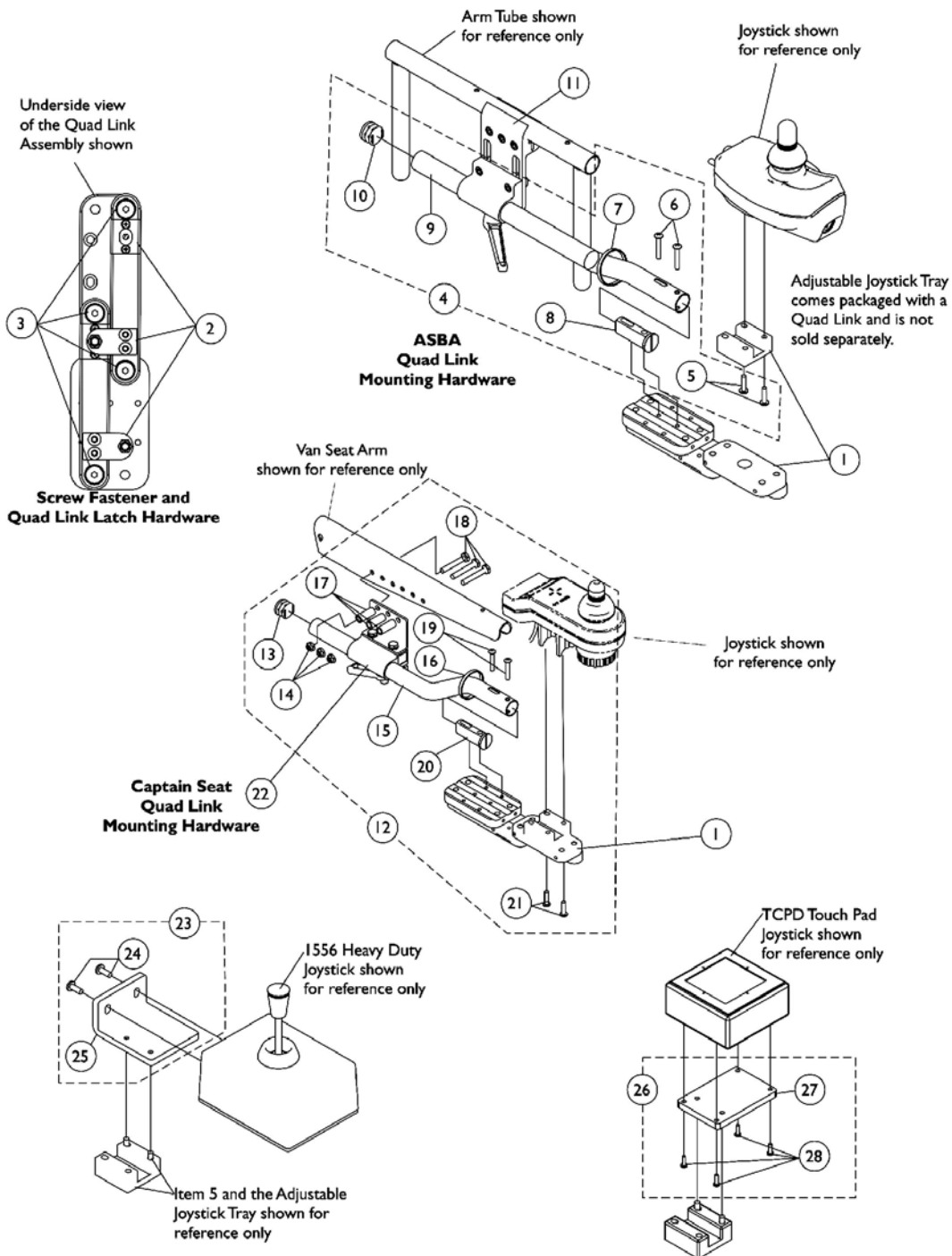
Item Number	Note	Part Number	Description	Quantity Per	
				Package	Assembly
8			Stud Plate, Quad Link For 1556 Heavy Duty Joystick	1	1
9			Screw, Hex Head (1/4-20 x 1-1/2")	1	3
10			Spacer (1/4 x 3/8 x 3/16")	1	3
11			Half Clamp, Non-Threaded Holes	1	1
12			Half Clamp, Threaded Holes	1	1
13			Screw, Phillips Flat Head Countersunk (#10-32 x 1-1/8")	1	2
1	C	1102027	Kit, Quad Link Assembly - Right For TCHJOY/TCPDM4 Touchpad	1	1
2			Ball Plunger with Lock Washer Assembly	2	1
3			Locknut (#10-32)	1	2
4			Screw, Socket Head (#10-32 x 1/2")	1	4
5			Bushing, Bronze (3/16 x 1/4 x 1/4")	1	4
6			Screw, Phillips Pan Head (#10-32 x 1-1/8")	1	2
8			Stud Plate, Quad Link MKIV TCHJOY/TCPDM4	1	1
9			Screw, Hex Head (1/4-20 x 1-1/2")	1	3
10			Spacer (1/4 x 3/8 x 3/16")	1	3
11			Half Clamp, Non-Threaded Holes	1	1
12			Half Clamp, Threaded Holes	1	1
14			Screw, Phillips Flat Head Countersunk (#4-40 x 3/8")	1	4
1	D	1074153	Kit, Quad Link Assembly - Right For Van Seats	1	1
2			Ball Plunger with Lock Washer Assembly	2	1
3			Locknut (#10-32)	1	2
4			Screw, Socket Head (#10-32 x 1/2")	1	4
5			Bushing, Bronze (3/16 x 1/4 x 1/4")	1	4
6			Screw, Phillips Pan Head (#10-32 x 1-1/8")	1	4
7			Spacer, Joystick Tube	1	1
8			Stud Plate, Quad Link	1	1
15			Locknut (1/4-20)	1	3
16			Screw, Hex Head (1/4-20 x 1-1/2")	1	3
17			Spacer (1/4 x 7/16 x 5/8")	1	3
2		1114863	Ball Plunger with Lock Washer Assembly	2	1
<p>NOTE: A - Includes the Quad Link, items 2-12 and used with MKIV RII, A, A+,PSF/PSR joysticks            B - Includes the Quad Link, items 2-5, 8-13 and used with a 1556 Heavy Duty joystick            C - Includes the Quad Link, items 2-6, 8-12, 14 and used with MKIV TCHJOY/TCPDM4 joysticks. Left side mounted Quad Link must be ordered as a special            D - Includes the Quad Link, items 2-8, 15-17 and used with MKIV RII, A, A+, PSF/PSR joysticks attached to a van seat. Left side mounted Quad Link must be ordered as a special            E - Quad Link Assembly is no longer available. Please see Quad Link Assembly (After 4/06/06) category and use new Quad Link design as a replacement.</p>					

# Quad Link (QLA - ASBA) and (QL - Captain Seat) After 4/06/06

When converting an old style Quad Link that attaches to a mounting plate or (a Flex or Touch Pad Joystick Tube) is currently on the chair then order the following for:

- a) ASBA Seat; Quad Link Mtg. Hdwr. (item 4), Quad Link (item 1) & Ht. Adj. Joystick Tube Clamp (item 11)
- b) Captain Seat; Quad Link Mtg. Hdwr. (item 12), Quad Link (item 1) & Joystick Tube Clamp (item 22)

**NOTE:** Substitute (item 4 & 12) with 2 ea. of the PPH Screws (item 5) when an offset joystick tube is currently on the chair. Additional Joystick Mtg. Hdwr. must be ordered when a 1556 Heavy Duty or TCPD Touch Pad is used.



## Quad Link (QLA - ASBA) and (QL - Captain Seat) After 4/06/06

When converting an old style Quad Link that attaches to a mounting plate or (a Flex or Touch Pad Joystick Tube) is currently on the chair then order the following for:

a) ASBA Seat; Quad Link Mtg. Hdwr. (item 4), Quad Link (item 1) & Ht. Adj. Joystick Tube Clamp (item 11)

b) Captain Seat; Quad Link Mtg. Hdwr. (item 12), Quad Link (item 1) & Joystick Tube Clamp (item 22)

**NOTE:** Substitute (item 4 & 12) with 2 ea. of the PPH Screws (item 5) when an offset joystick tube is currently on the chair. Additional Joystick Mtg. Hdwr. must be ordered when a 1556 Heavy Duty or TCPD Touch Pad is used.

Item Number	Note	Part Number	Description	Quantity Per	
				Package	Assembly
1		1140896	Quad Link with Adjustable Joystick Tray (QLA) and Instruction Sheet - Right	1	1
1		1140897	Quad Link with Adjustable Joystick Tray (QLA) and Instruction Sheet - Left	1	1
1	I	1140898	Quad Link (QL) and Instruction Sheet - Right	1	1
1	I	1140899	Quad Link (QL) and Instruction Sheet - Left	1	1
2	A	1140425	Kit, Quad Link Latch Hardware	1	1
3	B	1140424	Kit, Quad Link Screw Fastener Hardware	1	1
4	C,C1	1139416	Kit, ASBA/ADJASBA Quad Link Mounting Hardware	1	1
5			Screw, Phillips Pan Head w/ Patch (10-32 x 3/4")	1	2
6			Screw, Phillips Pan Head (#10-32 x 1-1/8")	1	2
7			Cable Tie (11-1/2" Long)	1	1
8			Spacer, Joystick Tube	1	1
9			Tube, Joystick 1/2" Offset	1	1
10			Plug Button, Black (7/8")	1	1
5		1105414	Screw, Phillips Pan Head w/ Patch (10-32 x 3/4")	1	2
11		1093071	Clamp, Fixed Height Joystick Tube	1	1
12	C1,G,H, ,H1	1143041	Kit, Quad Link Mounting Hardware - Van Seat	1	1
13			Plug Button, Black (7/8")	1	1
14			Locknut (1/4-20)	1	3
15			Tube, Joystick 2" Offset	1	1
16			Cable Tie (11-1/2" Long)	1	1
17			Spacer (1/4 x 7/16 x 5/8")	1	3
18			Screw, Hex Head (1/4-20 x 1-1/4")	1	3
19			Screw, Phillips Pan Head (#10-32 x 1-1/8")	1	2
20			Spacer, Joystick Tube	1	1
21			Screw, Phillips Pan Head w/ Patch (10-32 x 3/4")	1	2
22		1139681	Clamp, Van Seat Arm Joystick Tube	1	1
23	D	1139925-NLA	Kit, 1556 Heavy Duty Joystick To Quad Link Mounting Hardware	1	1
24			Screw, Phillips Pan Head (#10-32 x 1/2")	1	2
25			Plate, 1556 HD Joystick Quad Link	1	1
26	E	1139683	Kit, TCPD Touch Pad To Quad Link Mounting Hardware	1	1
27			Plate, TCPD Touch Pad Quad Link	1	1
28			Screw, Phillips Pan Head (#4-40 x 3/8")	1	4
	F	1134844	Instruction Sheet, Quad Link	1	1

# Quad Link (QLA - ASBA) and (QL - Captain Seat) After 4/06/06

When converting an old style Quad Link that attaches to a mounting plate or (a Flex or Touch Pad Joystick Tube) is currently on the chair then order the following for:

- a) ASBA Seat; Quad Link Mtg. Hdwr. (item 4), Quad Link (item 1) & Ht. Adj. Joystick Tube Clamp (item 11)
- b) Captain Seat; Quad Link Mtg. Hdwr. (item 12), Quad Link (item 1) & Joystick Tube Clamp (item 22)

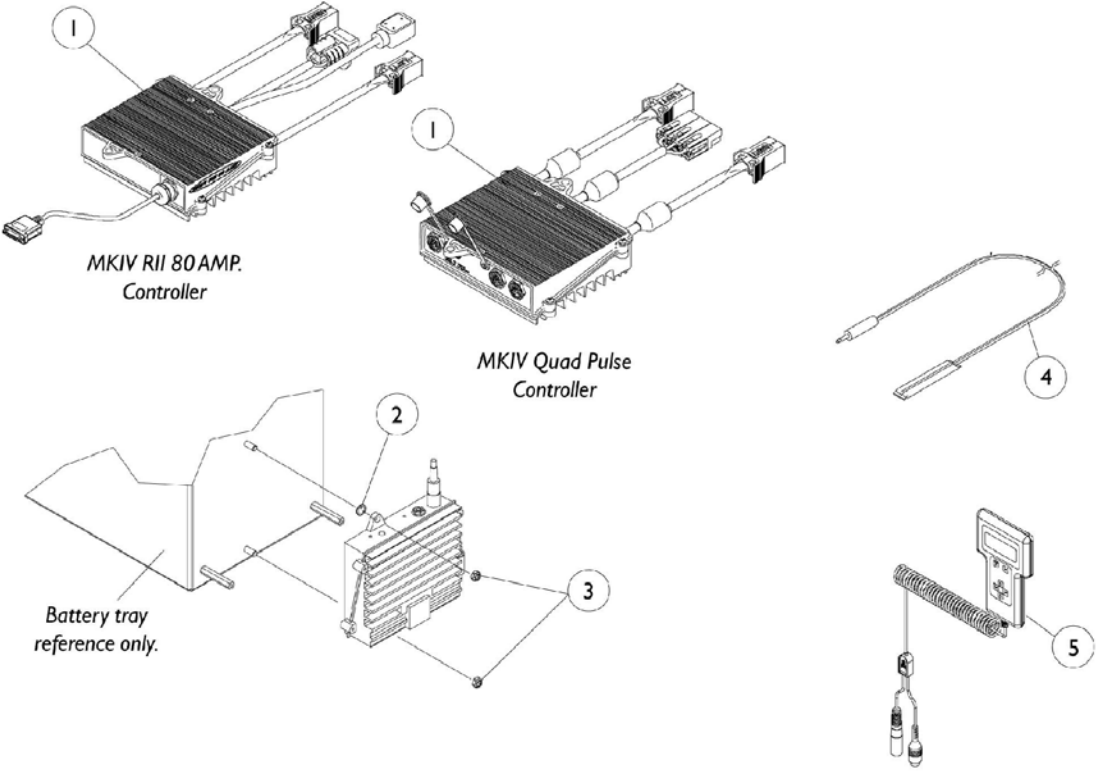
**NOTE: Substitute (item 4 & 12) with 2 ea. of the PPH Screws (item 5) when an offset joystick tube is currently on the chair. Additional Joystick Mtg. Hdwr. must be ordered when a 1556 Heavy Duty or TCPD Touch Pad is used.**

NOTE: A - Latch Kit includes 4 ea. Button Head Cap Screws (10-32 x 3/8"), 2 ea. Latch Spring Assembly, 4 ea. Phillips Flat C'Sunk Head Screws, 2 ea. Spring Catch Plates, 2 ea. Socket Head Set Screws (10-32 x 3/8")  
B - Screw Fastener Kit includes 4 ea. Socket Head Shoulder Screws (3/8 x 3/8"), 2 ea. Socket Head Cap Screws (1/4-20 x 3/8"), 2 ea. Socket Head Set Screws (1/4-20 x 1/2"), 4 ea. Socket Head Set Screws (10-32 x 1/8")  
C - Includes items 5-10. The Quad Link Mounting Hardware accommodates MKIV RX, A, A+ and PSF/PSR joysticks.  
C1 - When ordering the Quad Link for the first time, Additional hardware is required for 1556 Heavy Duty and TCPD Touch Pad joysticks. See pictorial for reference.  
D - Includes items 24 and 25  
E - Includes items 27 and 28  
F - Not Shown  
G - Includes items 13-21. The Quad Link Mounting Hardware accommodates MKIV RX, A, A+ and PSF/PSR joysticks.  
H - If Quad Link is to be mounted on chairs w/ van seats built Before 4/07/06, then the Armrest Attach. Hdwr. (1074120) for 18" wide or (1101917) for 20" & 22" wide must be ordered as well.  
H1 - See page titled "Captain Seat Arms and Hardware" page. The new armrest plates have 3 additional holes drilled so that the quad link can be properly mounted.  
I - Use with Captain Seats only



# MKIV Controllers, Programmer and Hardware

## MKIV Quad Pulse and MKIV RII 80 AMP

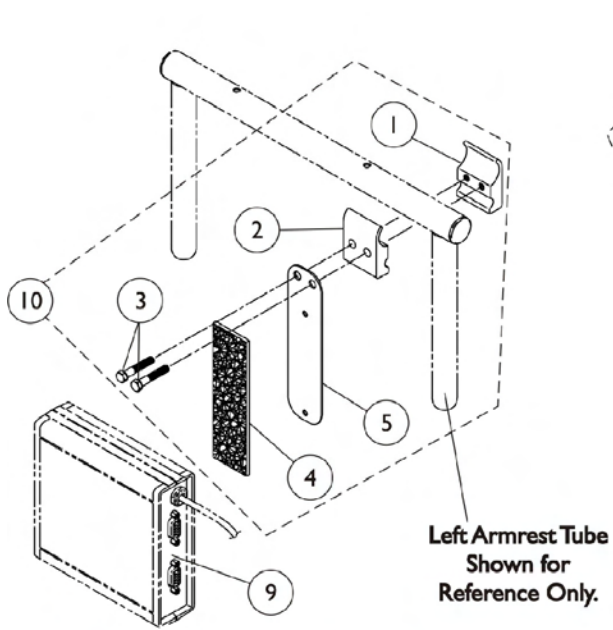


## MKIV Controllers, Programmer and Hardware MKIV Quad Pulse and MKIV RII 80 AMP

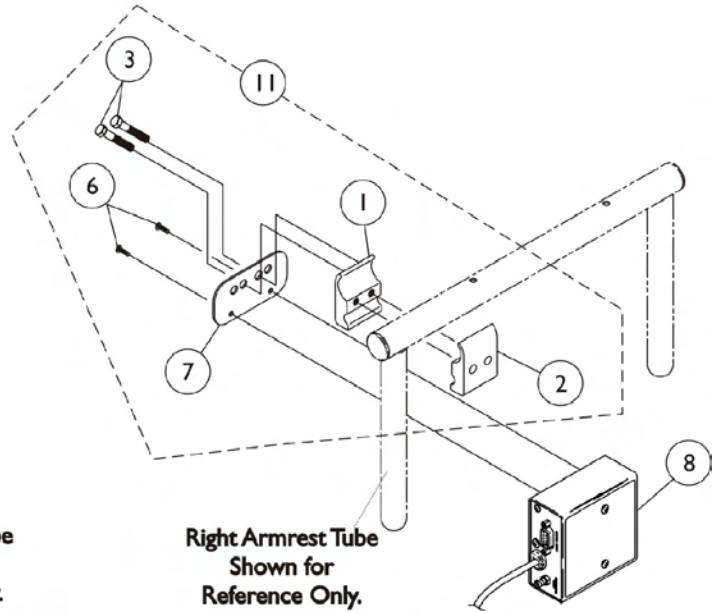
Item Number	Note	Part Number	Description	Quantity Per	
				Package	Assembly
1	E	1105707	Controller, MKIV Quad Pulse	1	1
1		1106819	Controller, MKIV RII 80 Amp	1	1
2		1079247	Washer, Flat (21/64 x 53/64 x 7/64")	1	1
3		1028769	Locknut (5/16-18)	1	2
4	F	1020818	Switch, Red Flex Ribbon (Tape) Reset	1	1
4	G	1123276	Kit, Switch, Black Egg Reset, with Hook/Loop Adhesive Back Fastener & Attaching Screws (EGSBLK)	1	1
5		1109091	Programmer, Remote	1	1
	A,B	1064404-NLA	Virtual Service Modem Kit	1	1
	A,C	1091631-NLA	Virtual Service Software Kit	1	1
	A,B	1103051-NLA	MKIV One 2 One Software Kit	1	1
	A,D	1046117-NLA	Printer and Interface	1	1
	A	1095204	Cable, Virtual Service Charger/Modem	1	1
	A	1091980-NLA	Disk, 3.5 H.D. Floppy with V.S. Software	1	1
	A	1091637-NLA	Adaptor, Null Modem	1	1
	A	1091636-NLA	Service Manual - V.S. Software Kit	1	1
	A	1026572-NLA	Paper, Printer	1	1
	A	1027280-NLA	Harness, Printer Wiring	1	1

NOTE: A - Not Shown  
 B - Part number 1095204 is available for individual sale  
 C - Part number 1095204, 1091980, 1091637 and 1091636 are available for individual sale  
 D - Part numbers 1026572 and 1027280 are available for individual sale  
 E - When a Customer upgrades from a MKIV RII to a MKIV Quad Pulse controller, a new wire harness is required. See Battery and Charger page.  
 F - Before 5/24/04  
 G - Not Shown. After 5/23/04 the Egg Reset Switch replaced the Red Flex Ribbon (Tape) Reset Switch

# MKIV Sip-N-Puff/Digital Interface and COM12 and COM34



COM12 And COM34  
1038639 1086241 ON CHAIR  
OFF CHAIR

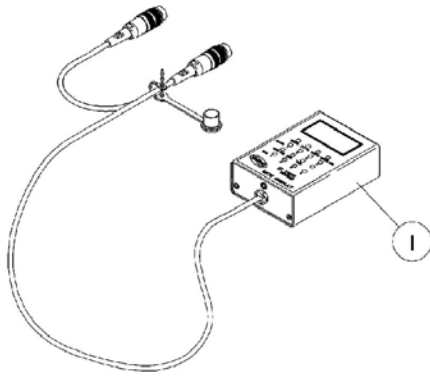


SNPM4 ON CHAIR  
1038635 OFF CHAIR

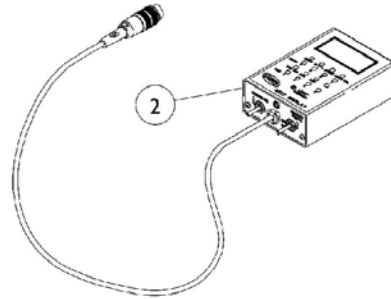
## MKIV Sip-N-Puff/Digital Interface and COM12 and COM34

Item Number	Note	Part Number	Description	Quantity Per	
				Package	Assembly
8		1038635	Sip-N-Puff with Digital Interface	1	1
9		1038639	Communication Module, COM12/AUX12	1	1
9		1086241	Communication Module, COM34/AUX34	1	1
10	A	1049592	Kit, COM12/AUX12 and COM34/AUX34 Mounting Hardware	1	1
1			Half Clamp, Threaded Holes	1	1
2			Half Clamp, Non-Threaded Holes	1	1
3			Screw, Hex Head (1/4-20 x 1-1/8")	1	2
4			Fastener, Dual Lock Hook and Loop Adhesive (2" W x 12" L)	1	1
5			Mounting Plate, COM12/AUX12 and COM34/AUX34	1	1
11	B,C	1049593	Kit, SNP/DI, MK5 SAC, 4WSB, S4WSB, GTAM, AUX12M6, AUX34M6 Mtg. Hdw.	1	1
1			Half Clamp, Threaded Holes	1	1
2			Half Clamp, Non-Threaded Holes	1	1
3			Screw, Hex Head (1/4-20 x 1-1/8")	1	2
6			Screw, Phillips Pan Head (#4-40 x 3/8")	1	2
7			Plate, Mounting	1	1
<p>NOTE: A - Mounting hardware includes items 1-5. Item 4 that is packaged with the kit will only be a 4" long "loop" fastener            B - Includes items 1-3 and 6-7            C - As of 5/22/07 the Mounting Plate holes and the orientation of the Hardware was revised to attach the electronics closer to the chair. The Mounting Hardware Kit is backward compatible.</p>					

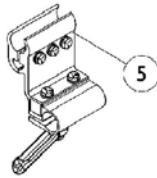
# MKIV Displays



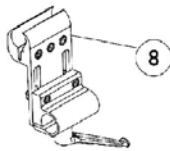
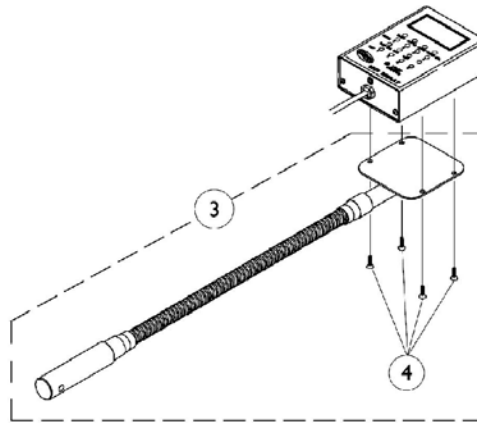
**1108490**  
Display without  
switches



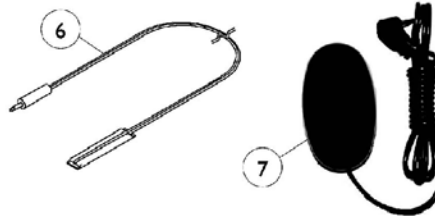
**1108489**  
Display with switches



**Joystick Tube Fixed Height  
Clamp Assembly**



**Joystick Tube Adjustable Height  
Clamp Assembly**

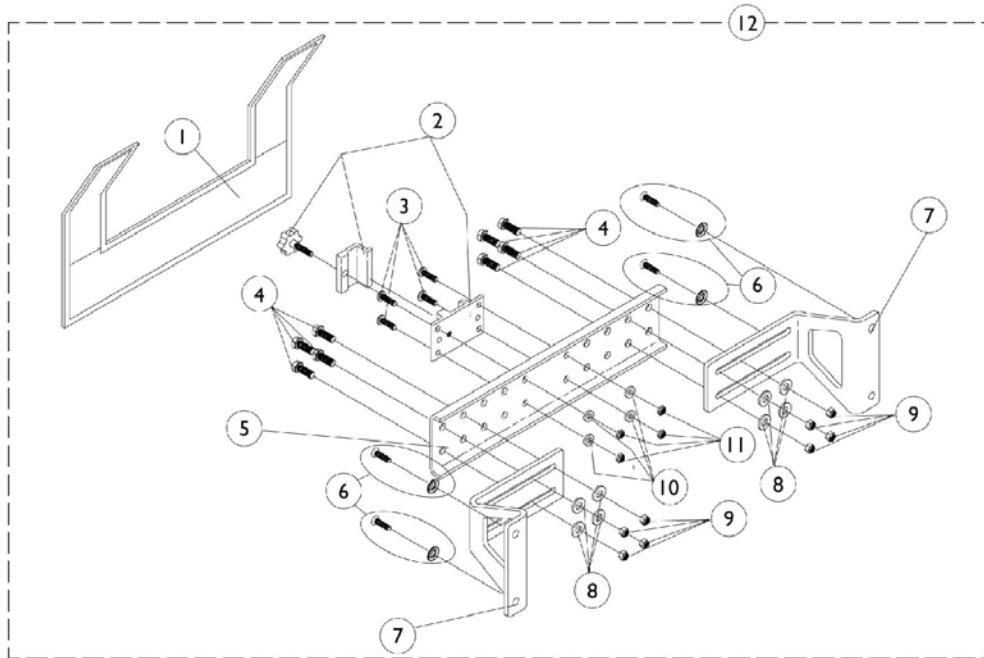


## MKIV Displays

Item Number	Note	Part Number	Description	Quantity Per	
				Package	Assembly
1		1108490	Display without Switches	1	1
2		1108489	Display with Switches	1	1
3	A	1049594	Flex Tube with Screws	1	1
4		1052041	Screw, Phillips Pan Head (#4-40 x 3/8")	1	4
5		1093071	Clamp, Fixed Height Joystick Tube	1	1
6	B	1020818	Switch, Red Flex Ribbon (Tape) Reset	1	1
7	C	1123276	Kit, Switch, Black Egg Reset, with Hook/Loop Adhesive Back Fastener & Attaching Screws (EGSBLK)	1	1
8	D	1139422	Clamp, Height Adjustable Joystick Tube (ARM250)	1	1

NOTE: A - Includes item 4  
 B - Before 5/24/04  
 C - After 5/23/04 the Egg Reset Switch replaced the Red Flex Ribbon (Tape) Reset Switch  
 D - Can be used to replace a Fixed Height Joystick Tube Clamp in the field

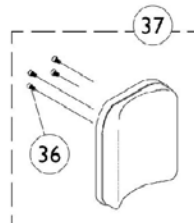
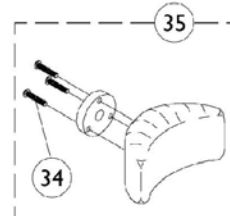
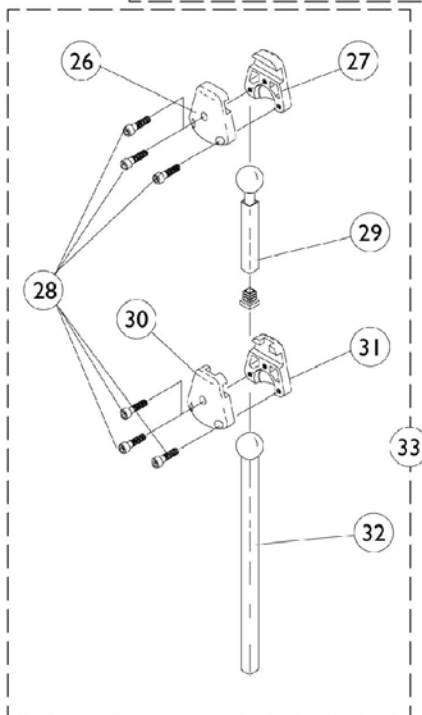
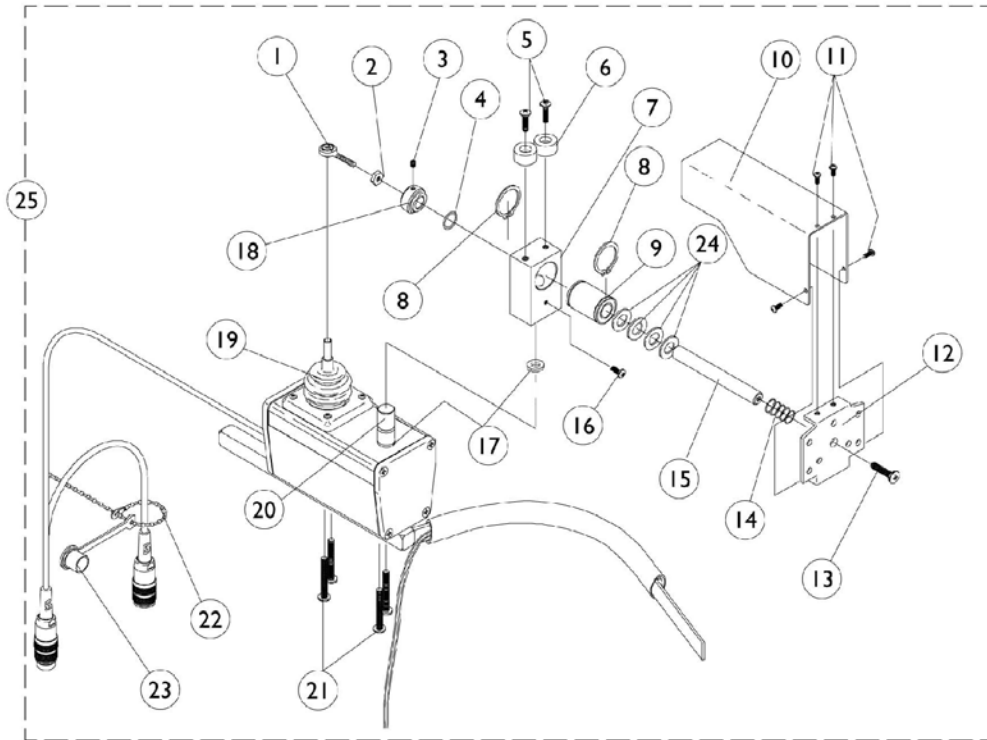
# MKIV R.I.M. Head Control Mounting Hardware 1500M4



Item Number	Note	Part Number	Description	Quantity Per	
				Package	Assembly
1		1055149	Nylon Cover	1	1
1		1055151	Nylon Cover	1	1
2		1055148	Clamp with Knob, Two-Piece	1	1
3		1003645	Screw, Socket Button Head (#10-32 x 3/4")	1	4
4		7930326	Screw, Hex Head (1/4-20 x 3/4")	25	8
		1054931	Bracket, Attaching - 12-18" Wide	1	1
5		1054933	Bracket, Attaching - 19-24" Wide	1	1
6		1031095	Screws with Washers (#10-16 x 7/8")	4	1
6		1076284	Screw w/ washer (#10 x 7/8")	1	4
7		1054929	Bracket, Wing	1	2
8		1026907	Washer (1/4 x 1/2 x 1/16")	1	8
9		7930333	Locknut (1/4-20)	25	8
10		1026034	Washer, Nylon (3/16 x 7/16 x 1/8")	1	4
11		7930332	Locknut, High Profile (#10-32)	25	4
12	A	1056347	Rim Control Mounting Hardware (RIMHW) - 12-18" Wide	1	1
12	A	1056348	Rim Control Mounting Hardware (RIMHW) - 19-24" Wide	1	1

NOTE: A - Includes Items 1-11.

# MKIV R.I.M. Head Control Assembly 1500M4





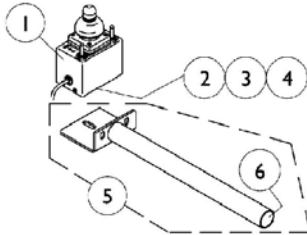
# MKIV R.I.M. Head Control Assembly 1500M4

Item Number	Note	Part Number	Description	Quantity Per	
				Package	Assembly
1		1001625	Tie Rod End	1	1
2		48095X000	Locknut (#10-32)	1	1
3		1025275	Set Screw with Nylock (#8-32 x 1/4")	1	1
4		2001139	O-Ring (1/2" I.D.)	1	1
5		1028529	Screw, Phillips Pan Head (#8-32 x 3/8")	1	2
6		1055002	Washer, Nylon	1	2
7		1056206	Block, Pivot	1	1
8		1054939	Snap Ring	1	2
9		1018113	Linear Bearing	1	1
10		1055014	Shield, Push Rod	1	1
11		7930318	Screw, Phillips Pan Head (#4-40 x 1/2")	25	4
12		1055031	Bracket, Headrest Mounting	1	1
13		40127X002	Screw, Phillips Oval Head (#10-32 x 3/4")	1	1
14		1055145	Spring, Compression	1	1
15		1055016	Push Rod	1	1
16		1026728	Screw, Phillips Pan Head (#6-32 x 1/4")	1	1
17		1010398	Washer, Nylon (1/4 x 1/2 x 1/16")	1	2
18		1025236	Collar, Shoulder	1	1
19		50000X364	Joystick, Boot	1	1
20		1055017	Rod Pivot	1	1
21		11008X014	Screw, Phillips Round Head (#10-32 x 1")	1	4
22		1038256	Wire Tie	1	1
23		1037373	Cover, Splash	1	1
24		1003766	Washer, Plain (1/2 x 1 x 1/8")	1	4
25	A	1056210	Joystick, Remote Head	1	1
26		1055023	Clamp, Horizontal Pivot	1	1
27		1055024	Clamp, Threaded, Horizontal Pivot	1	1
28		1055144	Screw, Socket Head (M6 x 25)	1	6
29		1055028	Slide Tube, Square, -Short	1	1
30		1055025	Clamp, Vertical Pivot	1	1
31		1055026	Clamp, Threaded, Vertical Pivot	1	1
32		1055027	Slide Tube, Square, -Long	1	1
33	B	1056213	Hardware, Adjustment	1	1
34		1005383	Screw, Socket Button Head (#10-32 x 1")	1	3
35	C	1056211	Headrest with Hardware, -Small (Otto Bock)	1	1
36		1005310	Screw, Socket Head (#10-32 x 3/8")	1	4
37	D	1056212	Headrest with Hardware, - Large (La Bac)	1	1

NOTE: A - Includes Items 1-24.  
B - Includes Items 26-32.  
C - Includes item 34.  
D - Includes item 36.

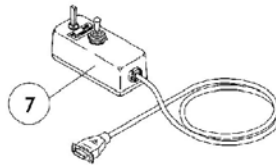
# MKIV Joystick Options

## REMOTE JOYSTICK



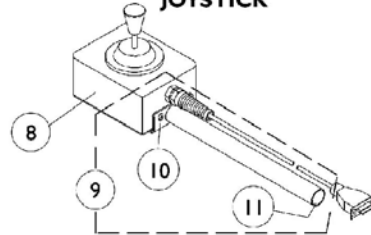
ON CHAIR: 1555M4  
 OFF CHAIR: 1038634  
 Used with display w/o switches  
 1108490

## ATTENDANT CONTROL JOYSTICK



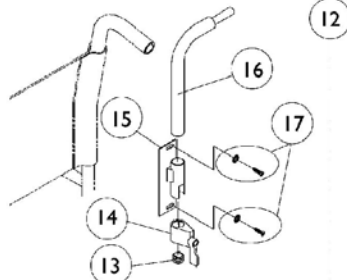
ON CHAIR: 1552M4  
 OFF CHAIR: 1025590

## HEAVY DUTY JOYSTICK



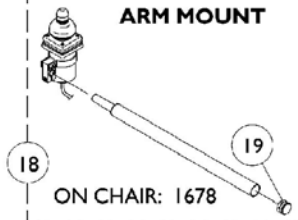
ON CHAIR: 1556M4  
 OFF CHAIR: 1041544  
 Used with display w/ switches  
 1108489

## REAR CANE MOUNT



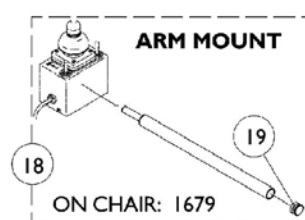
ON CHAIR: 1673

## ARM MOUNT



ON CHAIR: 1678

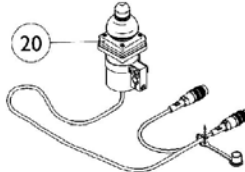
## ARM MOUNT



ON CHAIR: 1679

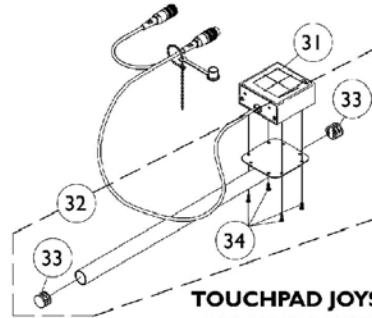
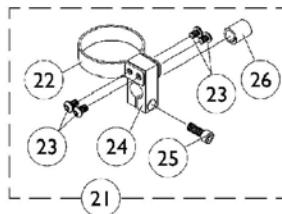
**NOTE:** Arm mounting tube shown above and additional arm mounting hardware are shipped when the On-Chair model number 1678 or 1679 is ordered.

## DUAL/COMPACT JOYSTICK W/ MTG. HARDWARE



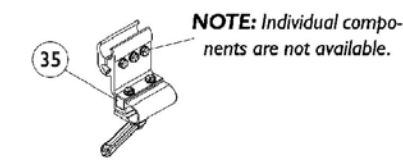
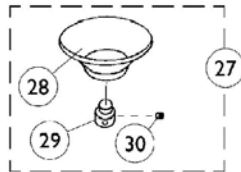
ON CHAIR: 1812M4/1558M4  
 OFF CHAIR: 1038638

## DUAL/COMPACT JOYSTICK MOUNTING HARDWARE



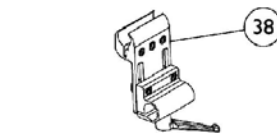
## TOUCHPAD JOYSTICK

ON CHAIR: TCPDM4  
 OFF CHAIR: 1091353  
 Used with display w/ switches  
 1108489

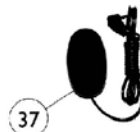
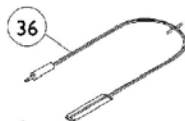


**NOTE:** Individual components are not available.

Joystick Tube Fixed Height  
 Clamp Assembly



Joystick Tube Adjustable Height  
 Clamp Assembly



⊕ Reset Switch may be required.

## MKIV Joystick Options

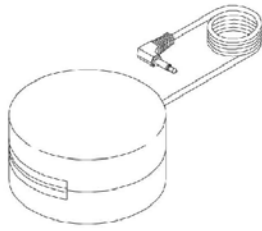
Item Number	Note	Part Number	Description	Quantity Per	
				Package	Assembly
1		1038634	Joystick, Remote	1	1
2		1010848	Clamp, Universal Swivel	1	1
3		12595X000	Lock Handle	1	1
4		40204X000	Nut, Hex (1/4-20)	1	1
5		1044928	Joystick Tube with Plug Button	1	1
6		1027095	Plug Button, Black (7/8")	1	1
7		1025590	Joystick, Attendant Control (1552M)	1	1
8		1041544-NLA	Joystick, Heavy Duty	1	1
9	A	1052719	Kit, Straight Joystick Tube with Hardware	1	1
10		1016401	Screw, Phillips Round Head (#10-32 x 3/8")	1	3
11		1027095	Plug Button, Black (7/8")	1	1
12	B	1044917	Hardware, Rear Cane Mount (1673/RCM)	1	1
13		1027095	Plug Button, Black (7/8")	1	1
14		1027274	Lock, Adjustment (Black)	1	1
15		1025245	Bracket, Upright -Right	1	1
16		1044918	Joystick Tube	1	1
17		1076284	Screw w/ washer (#10 x 7/8")	2	1
18	C	1052309	Arm Mount Tube with Plug Button	1	1
19		1027095	Plug Button, Black (7/8")	1	1
20		1038638	Joystick, MKIV Dual/Compact	1	1
21	D	1108012	Hardware, Dual/Compact Joystick Clamp Mounting	1	1
22		1025048	Clamp	1	1
23		1021460	Screw, Socket Button Head (#10-32 x 5/16")	1	4
24		1025045	Clamp, Mounting	1	1
25		1027089	Screw, Socket Head Cap (#10-24 x 1/2")	1	1
26		1026273	Spacer, Split (3/8" I.D.)	1	1
27	E	1020392	Chin Cup Assembly (1826)	1	1
28		1017545	Chin Cup	1	1
29		1017612	Screw, Adaptor	1	1
30		90032X000	Screw, Socket Set (#8-32 x 1/4")	1	2
31		1091353	Touchpad, Joystick Assembly	1	1
32	F	1092604	Kit, Straight Joystick Tube with Hardware	1	1
33		1027095	Plug Button, Black (7/8")	1	2
34		1052041	Screw, Phillips Pan Head (#4-40 x 3/8")	1	4
35	G	1093071	Clamp, Fixed Height Joystick Tube	1	1
36	H	1020818	Switch, Red Flex Ribbon (Tape) Reset	1	1
37	I	1123276	Kit, Switch, Black Egg Reset, with Hook/Loop Adhesive Back Fastener & Attaching Screws (EGSBLK)	1	1
38	L	1139422	Clamp, Height Adjustable Joystick Tube (ARM250)	1	1
	J	1108489	Display with Switches	1	1
	K	1108490	Display without Switches	1	1

# MKIV Joystick Options

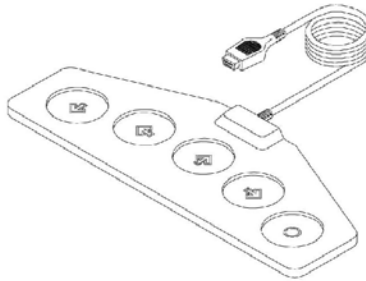
NOTE: A - Includes the joystick tube and items 10 and 11  
B - Includes items 13-17  
C - For On-Chair model numbers 1678 and 1679. Includes the joystick tube and item 19  
D - Includes items 22-26  
E - Includes items 28-30  
F - Includes the joystick tube, items 33 and 34  
G - Individual components are non-saleable.  
H - Before 5/24/04  
I - After 5/23/04. The Egg Reset Switch replaced the Red Flex Ribbon (Tape) Reset Switch  
J - Not Shown and used with the Heavy Duty and Touch Pad Joystick  
K - Not Shown and used with the Remote Joystick  
L - Can be used to replace a Fixed Height Joystick Tube Clamp in the field

# Tash and Therafin Accessories

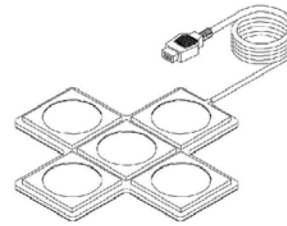
**NOTE:** For more information on Tash and Therafin products, please contact one of our Rehab Specialists.



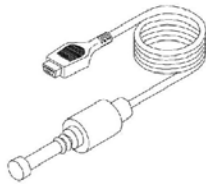
**P5820-Red Soft Switch**  
**P5821-Green Soft Switch**



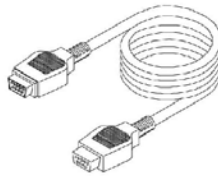
**P5018-Wafer Board**



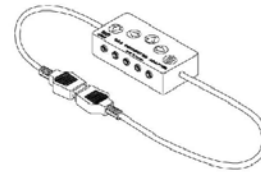
**P5026-Star Control**



**P5020-Mini Joystick with Push**



**P4337-Multi-Ability Cable**



**P4353-CA5 Multi-Connector Box**

*⊗ Must be used with display w/ switches (1108489)*



**P5970 - "U" Clamp**

## Tash and Therafin Accessories

**NOTE: For more information on Tash and Therafin products, please contact one of our Rehab Specialists.**

Item Number	Note	Part Number	Description	Quantity Per	
				Package	Assembly
	B	1142362	Bib Assembly (PKG32669)	1	1
	B	P21456	Adaptor Clamp - Tash	1	1
	B	P21457	Adaptor Clamp - Invacare	1	1
	B	P21460	Midline Swingway System	1	1
	A,B	1140824	Sip-N-Puff, 16" Fixed (PKG32666) Includes: 3 Air Tube Straws, 2 Saliva Traps, Tubing, Pivot Shaft/Flexible Metal Gooseneck Assembly, and Extruded Figure "8" Clamp to fit 7/8" Wheelchair Frame Tubing. Extruded Back Cane Adapter Clamp also included.	1	1
	B	P5820	Switch, Red Soft	1	1
	B	P5821	Switch, Green Soft	1	1
	B,C	P5018	Wafer Board (5018)	1	1
	B,C	P5026	Star Control	1	1
	B,C	P5020	Mini Joystick with Push (5020)	1	1
	B	P4337	Multi-Ability Cable	1	1
	B	P4353	CA5 Multi-Connector Box	1	1
	B	P5970	"U" Clamp	1	1
	B	1108489	Display with Switches	1	1

NOTE: A - See items included.  
 B - Not Shown  
 C - Must be used with display with switches part #1108489.

# Power Wheelchair Tool Kit

1



**Multimeter with Leads**



**Grounding Wire**



**1" Test Leads**



**Protractor/Angle Locator**



**Invacare Pen Light**



**Invacare Tape Measure**



**Invacare Phillips/Flat Head Screwdriver**



**MKIV Programmer**



**Virtual Service Charger Cable**

## Power Wheelchair Tool Kit

Item Number	Note	Part Number	Description	Quantity Per	
				Package	Assembly
1		1125222	Kit, Power Wheelchair Tool Includes: 1 ea. Multimeter with Leads 1 ea. Locator, Protractor/Angle Magnetic Base 1 ea. Instructions, MKIV Programmer 1 ea. Wire, Grounding with Hand Strap and Clip 1 ea. Leads, 1" Test 1 ea. Light, Pen with Invacare Logo 1 ea. Tape Measure, Compact with Invacare Logo 1 ea. Screwdriver, Pen-Size Phillips/Flat Head 1 ea. Cable, Virtual Service Charger/Modem	1	1



## Miscellaneous Accessories

Item Number	Note	Part Number	Description	Quantity Per	
				Package	Assembly
	A,C	1036527	Positioning Strap, Seat/Chest w/ Auto Style Buckle (Eyelet to Eyelet Length 33")	1	1
	C	1004310	Positioning Strap, Seat/Chest w/ Auto Style Push Button Buckle (Eyelet to Eyelet Length 48")	1	1
	B,C	1034625	Positioning Strap, Seat/Chest w/ Auto Style Push Button Buckle (Eyelet to Eyelet Length 61")	1	1
	C	1034625.0		1	1
	C	1034752	Positioning Strap, Seat/Chest w/ Airline Style Buckle (Eyelet to Eyelet Length 61")	1	1
	C	1034745	Positioning Strap, Seat/Chest w/ Hook and Loop Style Buckle (Eyelet to Eyelet Length 61")	1	1
	C	40176X010	Tire Pump	1	1
<p>NOTE: A - 14-15" positioning straps come rainbow color.            B - 20" wide seat positioning straps are used with 18" wide captain seats and 23" wide seat positioning straps are used with a 22" wide captain seat.            C - Not Shown.</p>					

**Invacare Corporation**

[www.invacare.com](http://www.invacare.com)



Yes, you can.™

One Invacare Way  
Elyria, Oh USA  
44036-2125  
800-333-6900

Technical Support  
800-832-4707  
Florida Technical Support  
407-321-5630

Customer Service  
800-333-6900

©2008 Invacare Corporation. Elyria, Ohio.  
All rights reserved. Trademarks are identified by the symbols™ and®. All trademarks are owned by or licensed to Invacare Corporation unless otherwise noted. Tash is a registered trademark of Tash International Inc.. Therafin is a registered trademark of W/R/ Medical Electronics Co.. Bussman is a registered trademark of Cooper Industries. MIDI is a registered trademark of Littelfuse Inc.. Dynamic is a registered trademark of Dynamic Controls Limited. (Revised 5/27/08)

Form No. 01-058